

# LIMITED WARRANTY

COMPANY NAME: \_\_\_\_\_

COMPANY ADDRESS: \_\_\_\_\_

CITY: \_\_\_\_\_ STATE: \_\_\_\_\_ ZIP: \_\_\_\_\_

MODEL: \_\_\_\_\_

SERIAL NUMBER: \_\_\_\_\_

DATE PURCHASED: \_\_\_\_\_

DEALER NAME: \_\_\_\_\_

DATE WARRANTY CARD RETURNED: \_\_\_\_\_

VIA: \_\_\_\_\_ WEBSITE \_\_\_\_\_ MAIL

***FORCE UNLIMITED LLC***



# FORCE UNLIMITED LLC LIMITED WARRANTY

FORCE Unlimited LLC has manufactured or is distributing the Product or Parts to which this warranty is attached. It warrants that the Product or Parts will, under normal conditions of use and service, be free from material defects due to faulty manufacturing for a period of twelve (12) months from the date of delivery to the original user. If any Product or Part does not conform to this warranty, your Dealer will, at its option, repair or replace parts provided, and you will pay all labor costs and costs for materials other than warranty parts. If Product or Part is defective in materials or workmanship, you must promptly notify your Dealer and return to FORCE Unlimited or fax to 319-283-3086 the warranty registration card within 30 days from the date of delivery to original user. The installation of any Part that did not originate from FORCE Unlimited will void this limited warranty in its entirety. In the event of repair or replacement, the warranty period shall not be extended beyond the original warranty period.

**If you fail to return the warranty registration card (in parts manual) to FORCE Unlimited within thirty (30) days after the date of delivery, this warranty shall not apply and your remedy for any defects in the Product will be your responsibility.**

**The above warranty does not cover:**

- a. Product that is damaged by abuse, neglect, accident, or modification
- b. Fluids, towing, telephone, travel, loss of vehicle, inconvenience
- c. The product itself if parts are installed on the equipment that did not originate from FORCE Unlimited

**The above warranty does not apply under the following conditions:**

- a. When Product has been improperly used or installed, modified, or fails because of defects or inefficiency of components not furnished with the Product
- b. When Product is used for purposes for which it was not originally designed or intended, or is used under abnormal operating conditions
- c. When the Dealer or end-user fails to follow FORCE Unlimited instructions regarding the Product

**This warranty is extended only to the original user and is not transferable. In the event of a warranty claim, you should promptly notify your Dealer and provide the following:**

- a. Model & serial number of the Product
- b. Date of delivery to the original user
- c. Part number of the defective Part
- d. Description of the claim encountered

**FORCE Unlimited LLC will bear no other expense including labor and material costs, other than those specified above. Unless modified in writing and signed by both parties, this Limited Warranty is understood to be the complete and exclusive agreement between the parties. No third party has authority to change or modify this warranty in any aspect.**

## LIMITED WARRANTY

### 2 YRS

SHELL STRUCTURE, SPINNER FRAME (including inferior welds & cracking)  
CONVEYOR GEARBOX (including gears, bearings & seals)

### 1 YR

SPINNER MOTORS & ADAPTERS (including bearings & seals)  
CONVEYOR MOTORS (including bearings & seals)  
VALVE MOTORS & CARTRIDGES  
CONVEYOR CHAIN – BELT & FASTENERS  
CONVEYOR SPROCKETS & BEARINGS  
FAN & CONVEYOR RATE SENSORS

### WEAR ITEMS

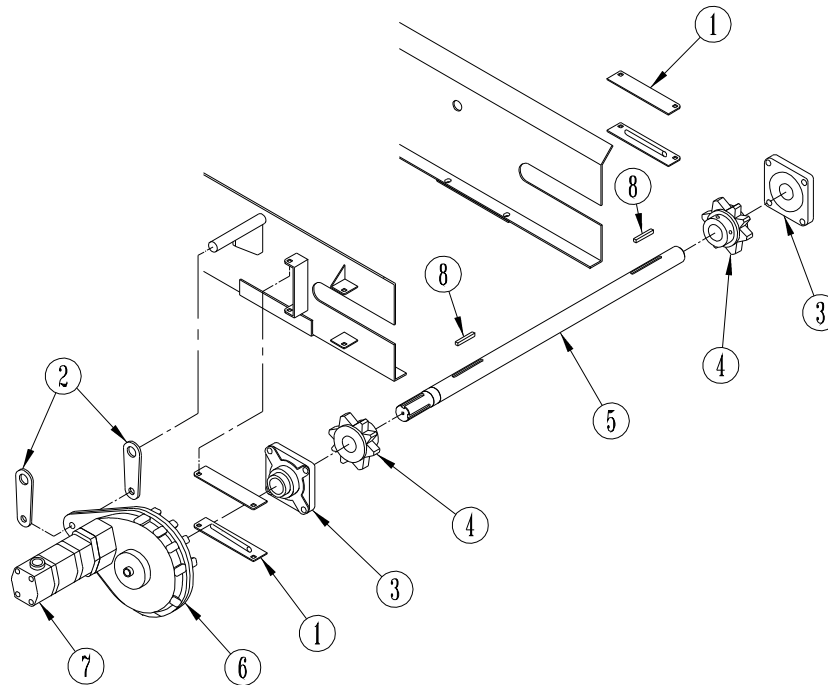
SPINNER FINS  
SPINNER DISCS

**MANUFACTURER HAS THE RIGHT TO REPLACE DEFECTIVE OR DAMAGED PARTS  
WITH NEW OR REBUILT AT ITS OWN DISCRETION**

**PARTS DAMAGED FROM ABUSE OR IMPROPER MAINTENANCE NOT COVERED**

**FORCE UNLTD.** SPREADERS\*GPS EQUIPMENT\*CONVEYORS

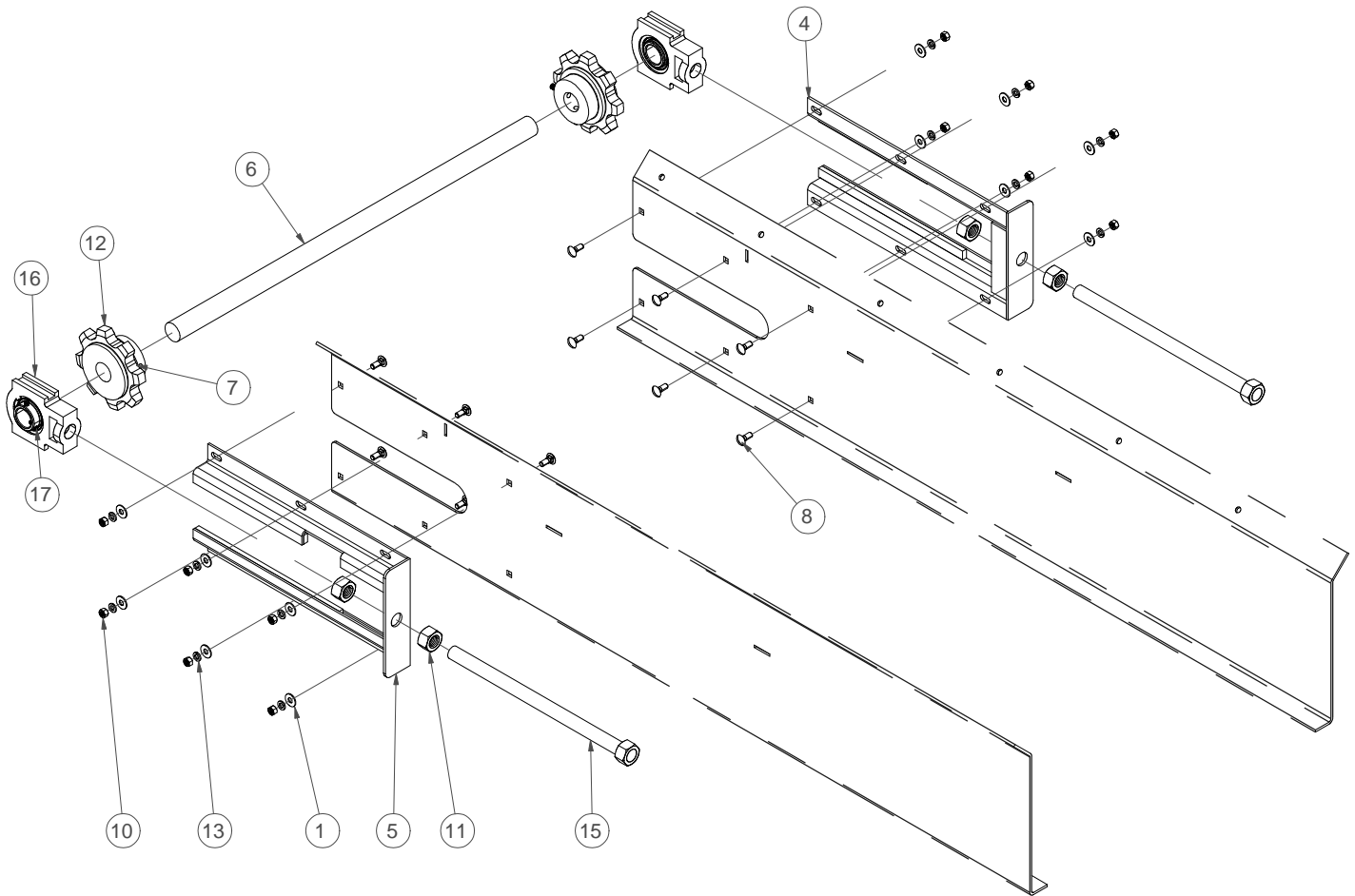
<b><u>ITEM</u></b>	<b><u>PAGE NO.</u></b>
Conveyor Drive	1
Conveyor Idler	2
Spinner Assembly w/Deflectors	3
	4
Jack Shaft Assembly	5
Spinner Guards & Material Flow Divider	6
	7
Spinner/Conveyor Drive Hydraulics - JD 4920/4930	8
Spinner/Conveyor Drive Hydraulics - Units w/tank on box	8.1
	9
Main Valve Block Assembly - Units w/tank on box	10
Main Valve Block Assembly - JD 4920/4930	10.1
Hydraulic Reservoir	11
Reservoir/Pump Hydraulics	12
	13
Inverted "V" & Cross Brace Assembly	14
Sensor Wiring Harness	15
John Deere AN302996 Electrical Harness Adapter Kit	15.1
Decals	16
Gear Box	17
Belt Over Pintle Chain	18
Feedgate Assembly	19
Hillside Flow Divider	20
Hydraulic Pipes	21
Chain Shields	22
Light Options	23
Front Belt Sealer	24
Box Window - Optional	25
#2 Straight Chain	26
	27
	28
Remote Conveyor Hydraulics - Optional	29
Safety Decals	35
Optional 12" High SS Box Extensions	36



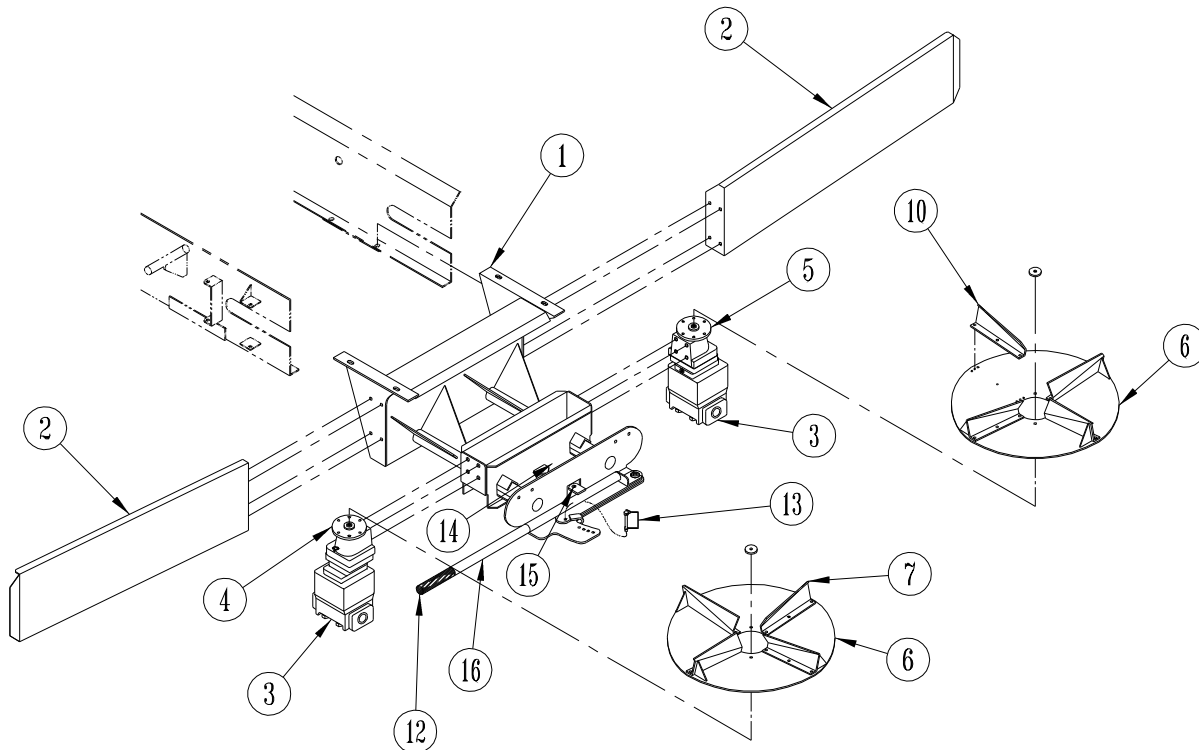
## CONVEYOR DRIVE

ITEM	PART NO.	DESCRIPTION	QTY.
1	1234-102	Weldment - Bearing Slide Requires: (4) Carriage Bolt - 3/8" UNC x 1" SS (4) Lock Washer - 3/8" SS (4) Nut - 3/8" UNC SS Per Side	2
2	1234-101	Arm - Idler Requires: (1) Hex Head Capscrew - 3/4" UNC x 3" SS (1) Lock Nut - 3/4" SS	2
3	1217-102	Bearing Requires: (2) Set Screw - 3/8"-24 UNF x 3/8" Lg. Per Bearing	2
4	1217-20	Sprocket - Drive Requires: (2) Set Screw - 3/8"-16 UNC x 3/8" Lg. Per Sprocket	2
5	1220-529	Shaft - Drive, with S/S Sleeve	1
6	1220-499	Gearbox Requires: (2) Key - Square, 1/2" x 1-1/2" Lg.	1
7	1213-143	Motor - Hydraulic Requires: (1) Key - Square, 5/16" x 1-1/4" Lg. (4) Socket Head Capscrew - 1/2" x 1-1/2" Lg. (4) Lock Washer - 1/2" Seal Kit	1
8	1220-525	Key - Square, 3/8" x 2-1/2" Lg.	2

## CONVEYOR IDLER



ITEM	PART NO.	DESCRIPTION	QTY
1	1209-40	Flat Washer - 3/8"	12
4	1234-103 RH	RH Weldment - Take Up	1
5	1234-103	Weldment - Take Up	1
6	1220-51	Shaft - Idler	1
7		Set Screw - 3/8"-24 UNF x 3/8" Lg.	4
8	1200-302SS	Carriage Bolt - 3/8" UNC x 1" SS	12
10	1205-27	Nut - 3/8" UNC SS	12
11	1205-79	Nut - 1" UNC	4
12	1217-15	Sprocket - Idler	2
13	1209-43	Lock Washer - 3/8" SS	12
15	1225-02	Weldment - Take Up Bolt	2
16	1217-103	Bearing - Take Up	2
17		Set Screw - 5/16"-24 UNF x 5/16" Lg.	4



## SPINNER ASSY. WITH DEFLECTORS

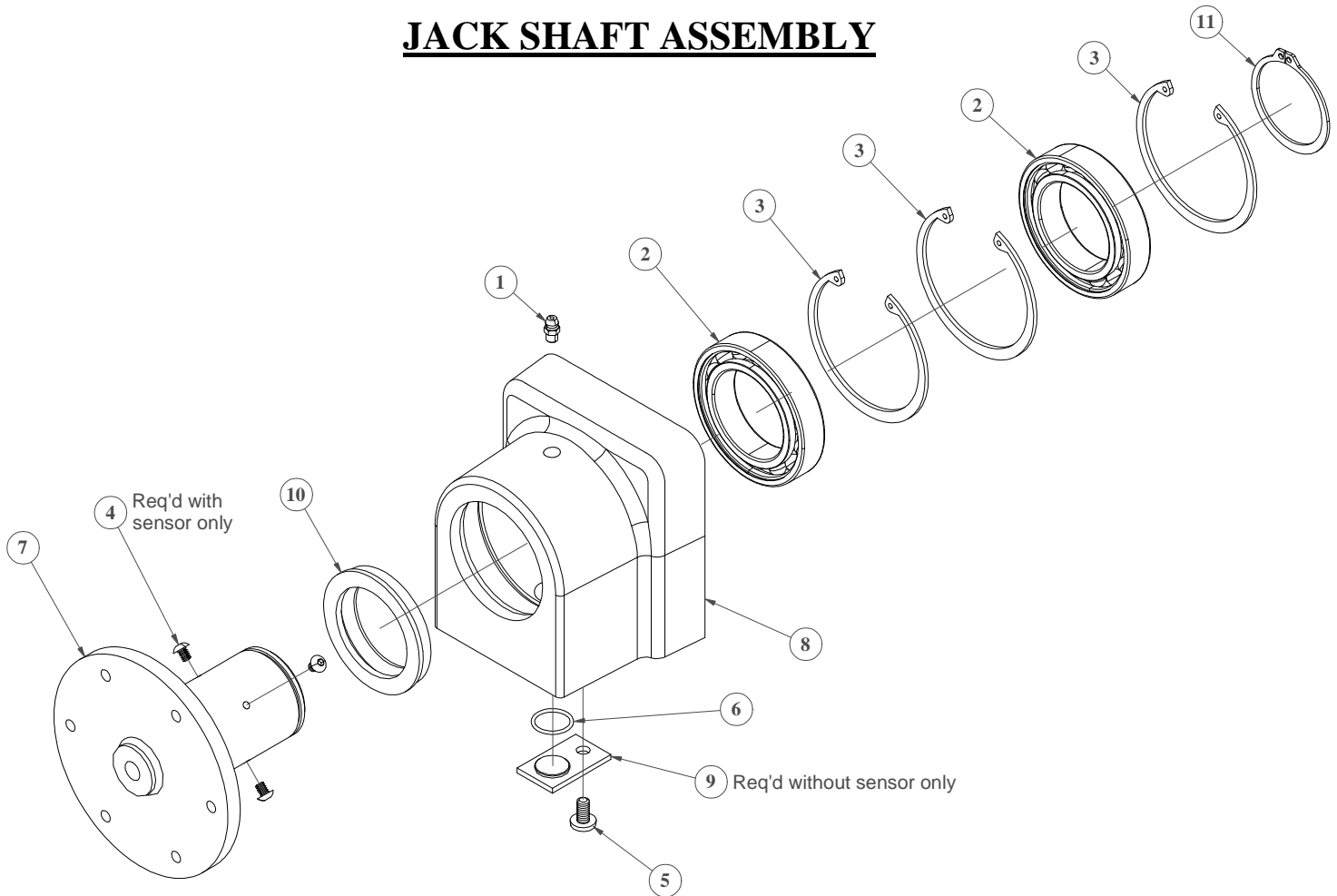
<u>ITEM</u>	<u>PART NO.</u>	<u>DESCRIPTION</u>	<u>QTY.</u>
1	1234-301	Weldment - Spinner Assembly Requires: 1200-404 (4) Carriage Bolt - 1/2" UNC x 2" SS 1209-61 (4) Flat Washer - 1/2" SS 1209-63 (4) Lock Washer - 1/2" SS 1205-36 (8) Nut - 1/2" UNC SS	1
2	1234-108	Weldment - Deflector Requires: 1200-3011 (4) Hex Head Capscrew - 3/8" UNC x 1" SS 1209-41 (8) Flat Washer - 3/8" SS 1209-43 (4) Lock Washer - 3/8" SS 1205-27 (4) Nut - 3/8" UNC SS Per Deflector	1 RH, 1 LH
3	1213-151	Motor - Hydraulic Requires: (Per Motor) 1200-403 (4) Socket Head Capscrew - 1/2" UNC x 1-1/2" 1209-62 (4) Lock Washer - 1/2" 1213-155 (1) Key - Square, 5/16" x 1-1/2" Lg. Replacement Parts: 1213-151SK Seal Kit 1213-151SG Shaft & Gear Set	2
4	1218-732	Assembly - Jack Shaft with Sensor Mount Requires: 1200-400SS (1) Hex Head Capscrew - 1/2" UNC x 1" SS 1209-61 (1) Washer - 1/2" SS 1200-4011 (4) Hex Head Capscrew - 1/2" UNC x 1-1/4" SS 1209-63 (4) Lock Washer - 1/2" SS	1

**FORCE UNLTD.** SPREADERS\*GPS EQUIPMENT\*CONVEYORS

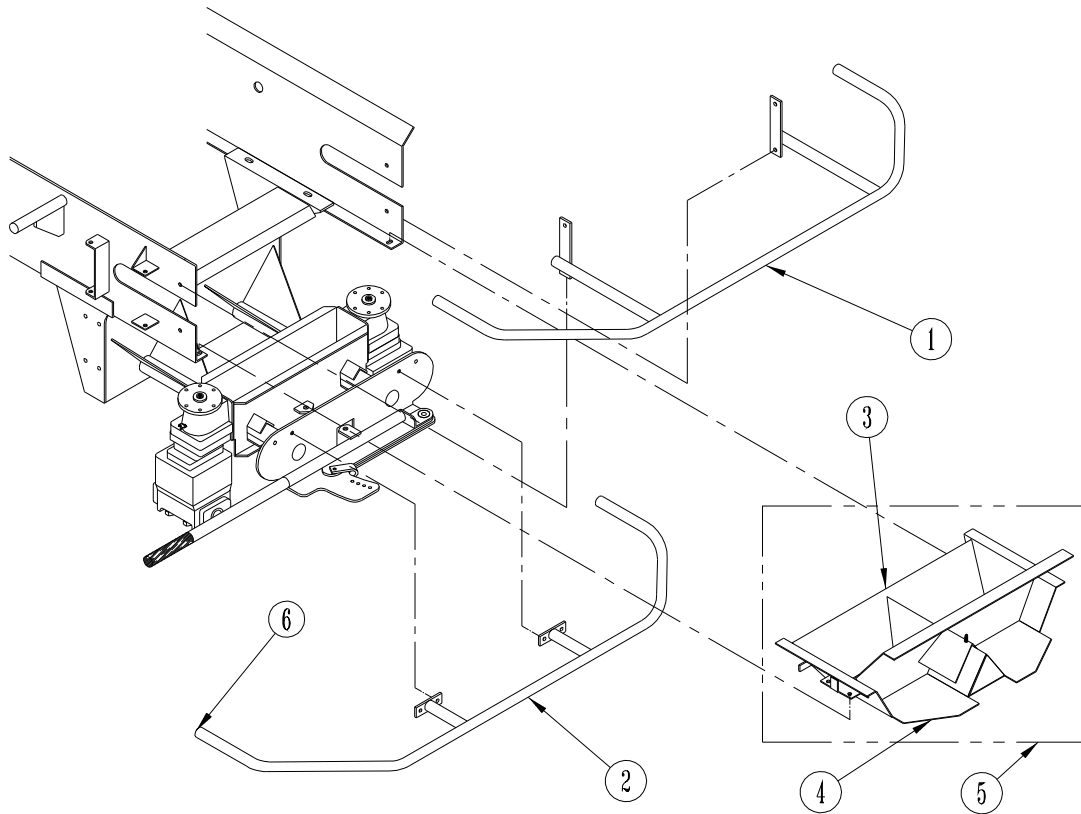
<b>ITEM</b>	<b>PART NO.</b>	<b>DESCRIPTION</b>	<b>QTY</b>
5	1218-722 1200-400SS 1209-61 1200-4011 1209-63	Assembly - Jack Shaft without Sensor Mount Requires: (1) Hex Head Capscrew - 1/2" UNC x 1" SS (1) Washer - 1/2" SS (4) Hex Head Capscrew - 1/2" UNC x 1-1/4" SS (4) Lock Washer - 1/2" SS	1
6	1218-750 1200-203 1205-10	Universal 24" Disc - Dished Requires: (6) Hex Head Capscrew - 1/4" UNC x 1" MS (6) Top Lock Nut - 1/4" Per Disc	2
7	1218-711 1200-250 1205-17	Weldment - Fin, Left Hand Requires: (3) Hex Head Capscrew - 5/16" UNC x 3/4" MS (3) Top Lock Nut - 5/16" Per Fin	4
10	1218-701 1200-250 1205-17	Weldment - Fin, Right Hand Requires: (3) Hex Head Capscrew - 5/16" UNC x 3/4" MS (3) Top Lock Nut - 5/16" Per Fin	4
12	1218-01	Grip - Foam	1
13	1218-04	Adjusting - Safety Snap Pin	1
14	1225-01 1205-38	Threaded Rod - Fine, 1/2" x 3" Lg., SS Requires: (2) Nut - Hex 1/2" UNF MS	1
15	1218-02 1209-61 1205-39 1200-350	Rod End - Ball Joint, SS Requires: (1) Flat Washer - 1/2" SS (1) Lock Nut - Nylon Insert, Thin 1/2" UNC SS (1) Hex Head Capscrew - 1/2" UNC x 1-1/2" SS Per Rod End	2
16	1218-03 1218-06 1200-350 1205-39	Weldment - Adjusting Handle Requires: (1) Washer - Oversized (1) Hex Head Capscrew - 1/2" UNC x 1-1/2" SS (1) Lock Nut - Nylon Insert, Thin 1/2" UNC SS	1



## JACK SHAFT ASSEMBLY

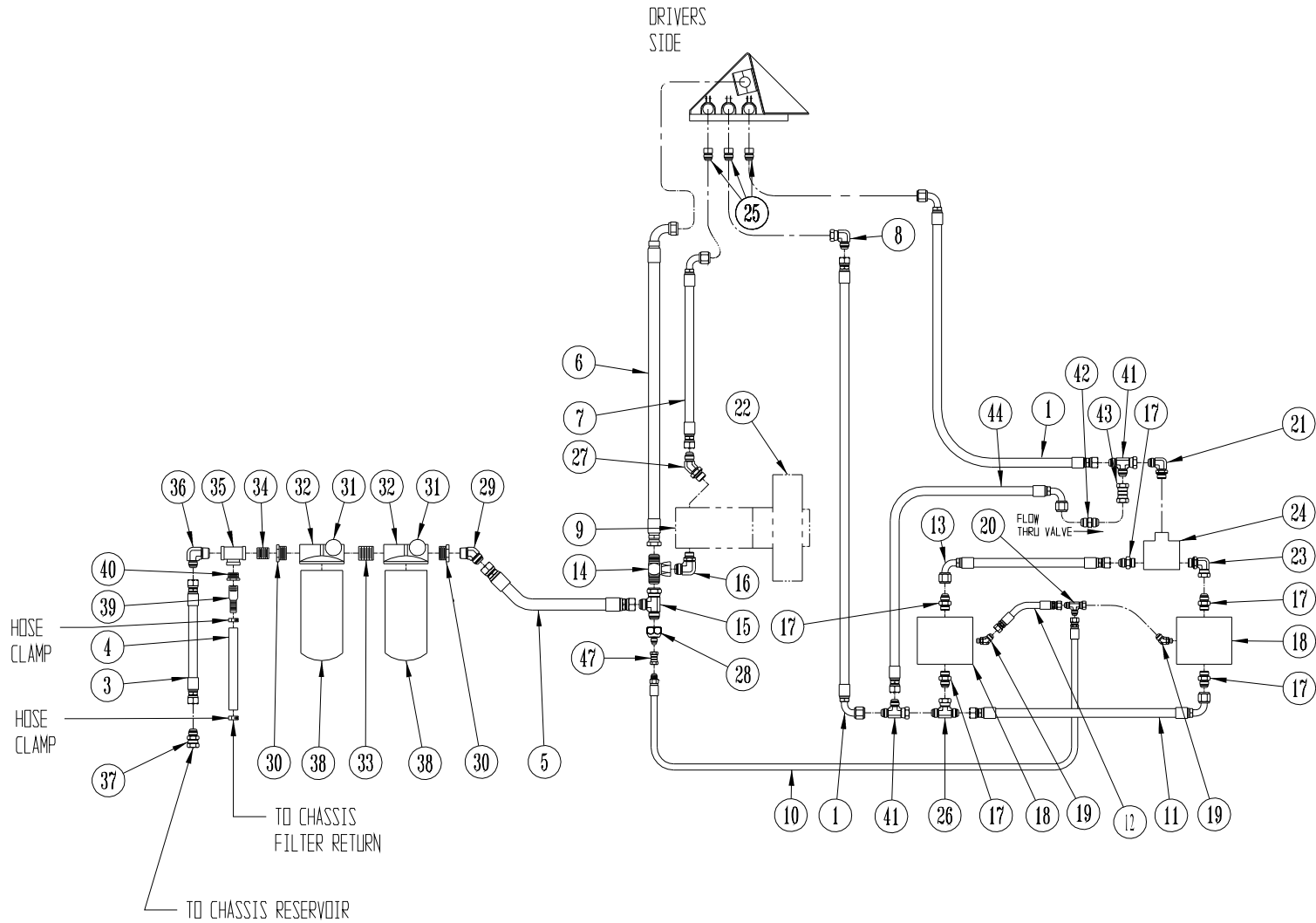


ITEM	PART NO.	DESCRIPTION	QTY
1	1204-02	Grease Nipple	1
2	1217-104	Bearing	2
3	1208-05	Snap Ring	3
4	1200-245	Cap Screw - Socket Head 10-24 x 1/4"	4
5		1/4-20 x 1/2" SS Philips Pan Head	1
6		O-Ring	1
7	1218-720	Jackshaft Hub	1
8	1218-732H	Housing Jackshaft - Spinner LH w/Sensor (1218-722H w/o Sensor)	1
9	1218-735	Kit - Sensor Hole Plug (Includes items 5, 6 & 9)	1
10	1204-06	Seal - Lifetime	1
11	1208-06	Snap Ring	1
12	1218-722	Complete Assembly - Jack Shaft without Sensor Mount	
13	1218-732	Complete Assembly - Jack Shaft with Sensor Mount	



## SPINNER GUARDS AND MATERIAL FLOW DIVIDER

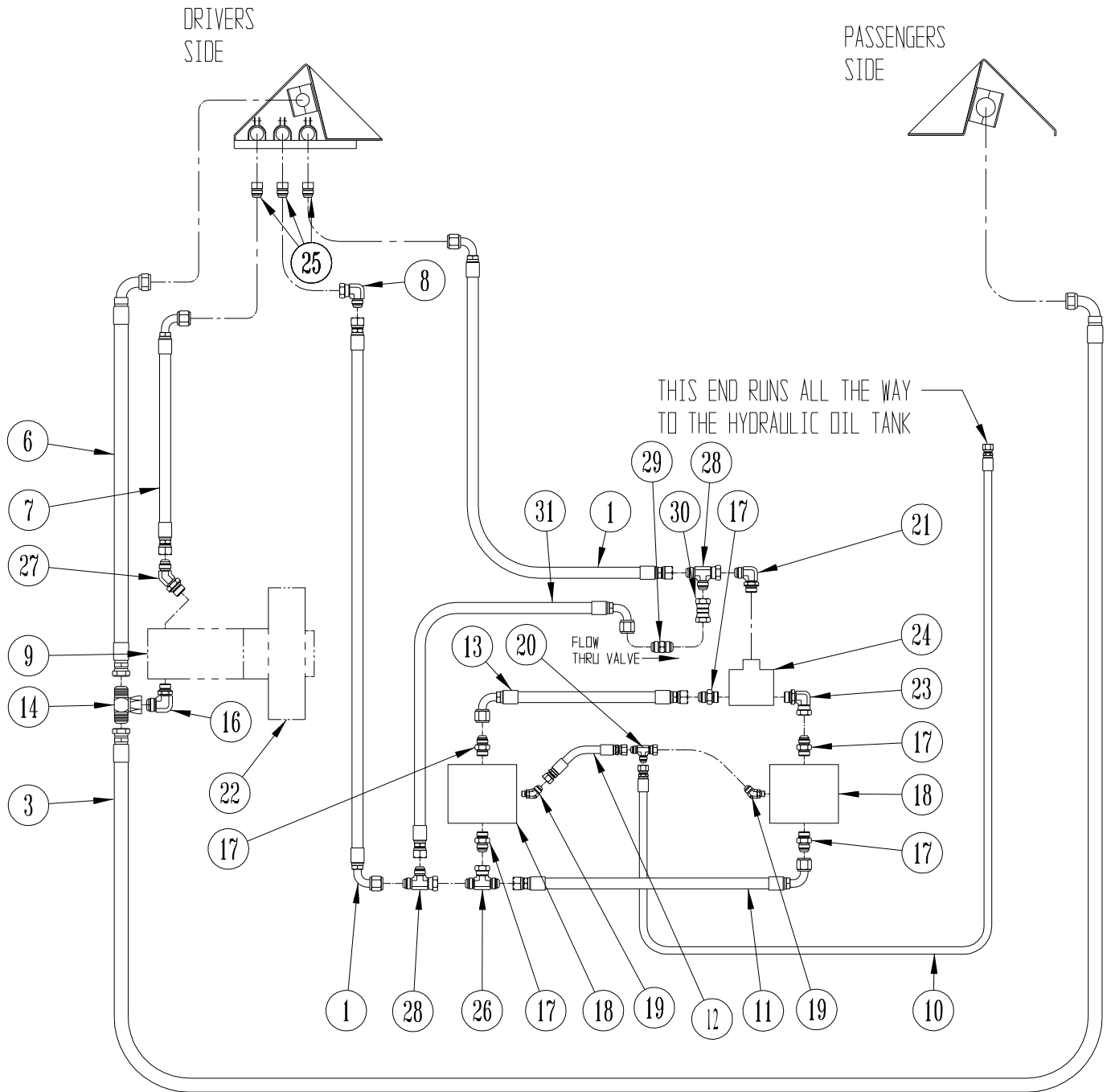
ITEM	PART NO.	DESCRIPTION	QTY.
1	1234-305	Weldment - Spinner Guard, Upper Requires:	1
	1200-303SS	(4) Hex Head Capscrew - 3/8" UNC X 1-1/4" SS	
	1209-41	(8) Flat Washer - 3/8" SS	
	1205-26	(4) Lock Nut - 3/8" UNC SS	
2	1234-306	Weldment - Spinner Guard, Lower Requires:	1
	1200-303SS	(4) Hex Head Capscrew - 3/8" UNC X 1-1/4" SS	
	1209-41	(8) Flat Washer - 3/8" SS	
	1205-26	(4) Lock Nut - 3/8" UNC SS	
3	1234-402	Weldment - Material Flow Divider, Front Plate Requires:	1
	1200-302SS	(2) Hex Head Capscrew - 3/8" UNC X 1" SS	
	1209-41	(2) Flat Washer - 3/8" SS	
	1209-43	(2) Lock Washer - 3/8" SS	
	1205-27	(2) Nut - 3/8" UNC SS	
4	1234-403	Weldment - Material Flow Divider, Back Plate	1
5	1234-401	Assembly - Material Flow Divider Includes: Hardware from Item 3 and	1
	1209-41	(1) Flat Washer - 3/8" SS	
	1205-26	(1) Lock Nut - 3/8" SS	
6	1218-05	Plug - Tube, Poly	6



**SPINNER/CONVEYOR DRIVE HYDRAULICS**

***FORCE UNLTD.*** SPREADERS \* GPS EQUIPMENT \* CONVEYORS

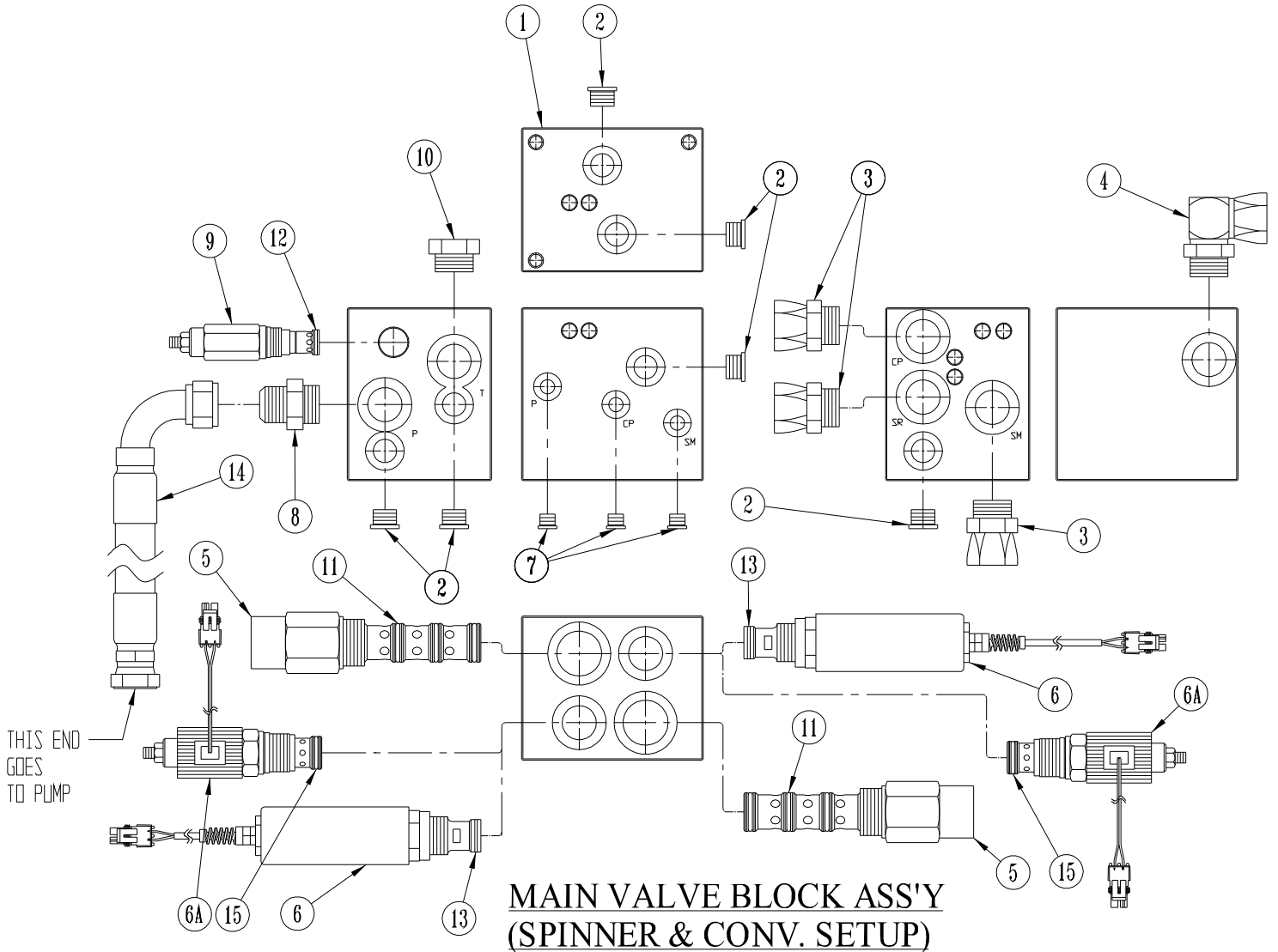
<b>ITEM</b>	<b>PART NO.</b>	<b>DESCRIPTION</b>	<b>QTY</b>
1	1207-400	Hose Ass'y	2
2			
3	1207-402	Hose Ass'y	1
4	1207-403	Hose	1
5	1207-404	Hose Ass'y	1
6	1207-405	Hose Ass'y	1
7	1207-406	Hose Ass'y	1
8	1202-180	Adapter - Elbow	1
9	1213-143	Motor - Hydraulic	1
10	1207-409	Hose Ass'y	1
11	1207-410	Hose Ass'y	1
12	1207-411	Hose Ass'y	1
13	1207-412	Hose Ass'y	1
14	1202-300	Adapter - Tee	1
15	1202-3015	Adapter - Tee	1
16	1202-204	Adapter - Elbow	1
17	1202-110	Adapter - Straight	5
18	1213-151	Motor - Hydraulic, Spinner	2
19	1202-208	Adapter - 45 Deg.	2
20	1202-3014	Adapter - Tee	1
21	1202-202	Adapter - Elbow	1
22	1220-499	Gearbox	1
23	1202-2095	Adapter - Elbow	1
24	1211-181SP	Assy - Flow Divider Valve	1
25	1202-1035	Adapter - Straight	3
26	1202-290	Adapter - Tee	1
27	1202-209	Adapter - 45 Deg.	1
28	1202-1033	Adapter - Straight	1
29	1202-1039	Adapter - 45 Deg.	1
30	1201-232	Bushing - Hex	2
31	1100-197	Indicator - Filter	2
32	1100-19	Head - Filter	2
33	1201-72	Nipple - Close	1
34	1201-61	Nipple - Close	1
35	1201-182	Tee	1
36	1202-1038	Adapter - Elbow	1
37	1202-302	Adapter - Straight	1
38	1220-37	Filter Element	2
39	1201-317	Hose Barb	1
40	1201-230	Bushing - Hex	1
41	1202-3013	Adapter - Tee	2
42	1211-604	Check Valve	1
43	1202-6512	Adapter - Straight	1
44	1207-413	Hose Ass'y	1
45			
46			
47	1202-6511	Adapter - Straight	1



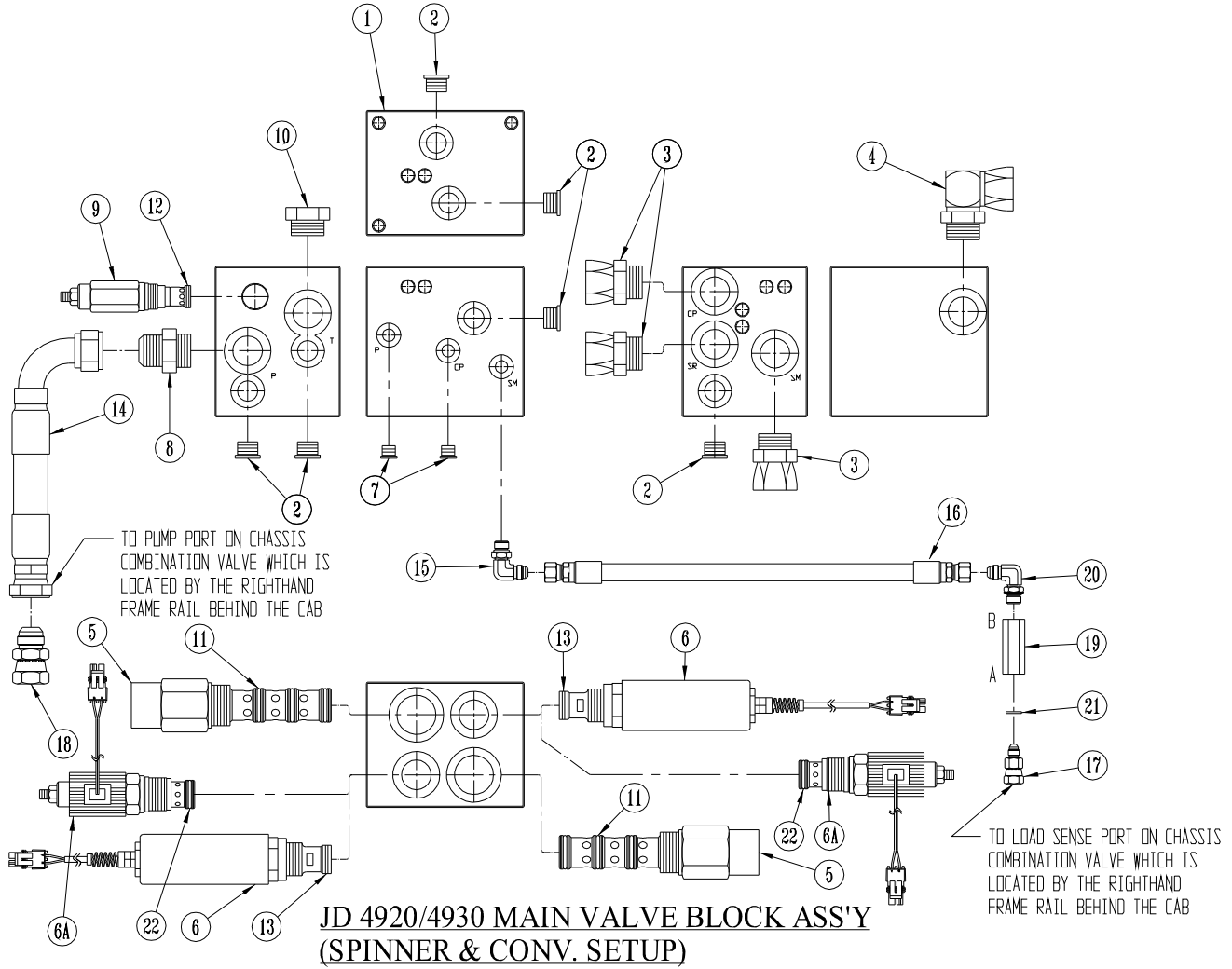
## AGFORCE LTD SPINNER/CONVEYOR DRIVE HYDRAULICS FOR UNITS WITH TANK ON THE BOX

**FORCE UNLTD.** SPREADERS \* GPS EQUIPMENT \* CONVEYORS

<b><u>ITEM</u></b>	<b><u>PART NO.</u></b>	<b><u>DESCRIPTION</u></b>	<b><u>QTY</u></b>
1	1207-400	Hose Ass'y	2
2			
3	1207-06	Hose Ass'y	1
4			
5			
6	1207-03	Hose Ass'y	1
7	1207-406	Hose Ass'y	1
8	1202-180	Adapter - Elbow	1
9	1213-143	Motor - Hydraulic	1
10	1207-08	Hose Ass'y	1
11	1207-410	Hose Ass'y	1
12	1207-411	Hose Ass'y	1
13	1207-412	Hose Ass'y	1
14	1202-300	Adapter - Tee	1
15			
16	1202-204	Adapter - Elbow	1
17	1202-110	Adapter - Straight	5
18	1213-151	Motor - Hydraulic, Spinner	2
19	1202-208	Adapter - 45 Deg.	2
20	1202-3014	Adapter - Tee	1
21	1202-202	Adapter - Elbow	1
22	1220-499	Gearbox	1
23	1202-2095	Adapter - Elbow	1
24	1211-181SP	Assy - Flow Divider Valve	1
25	1202-1035	Adapter - Straight	3
26	1202-290	Adapter - Tee	1
27	1202-209	Adapter - 45 Deg.	1
28	1202-3013	Adapter - Tee	2
29	1211-604	Check Valve	1
30	1202-6512	Adapter - Straight	1
31	1207-413	Hose Ass'y	1

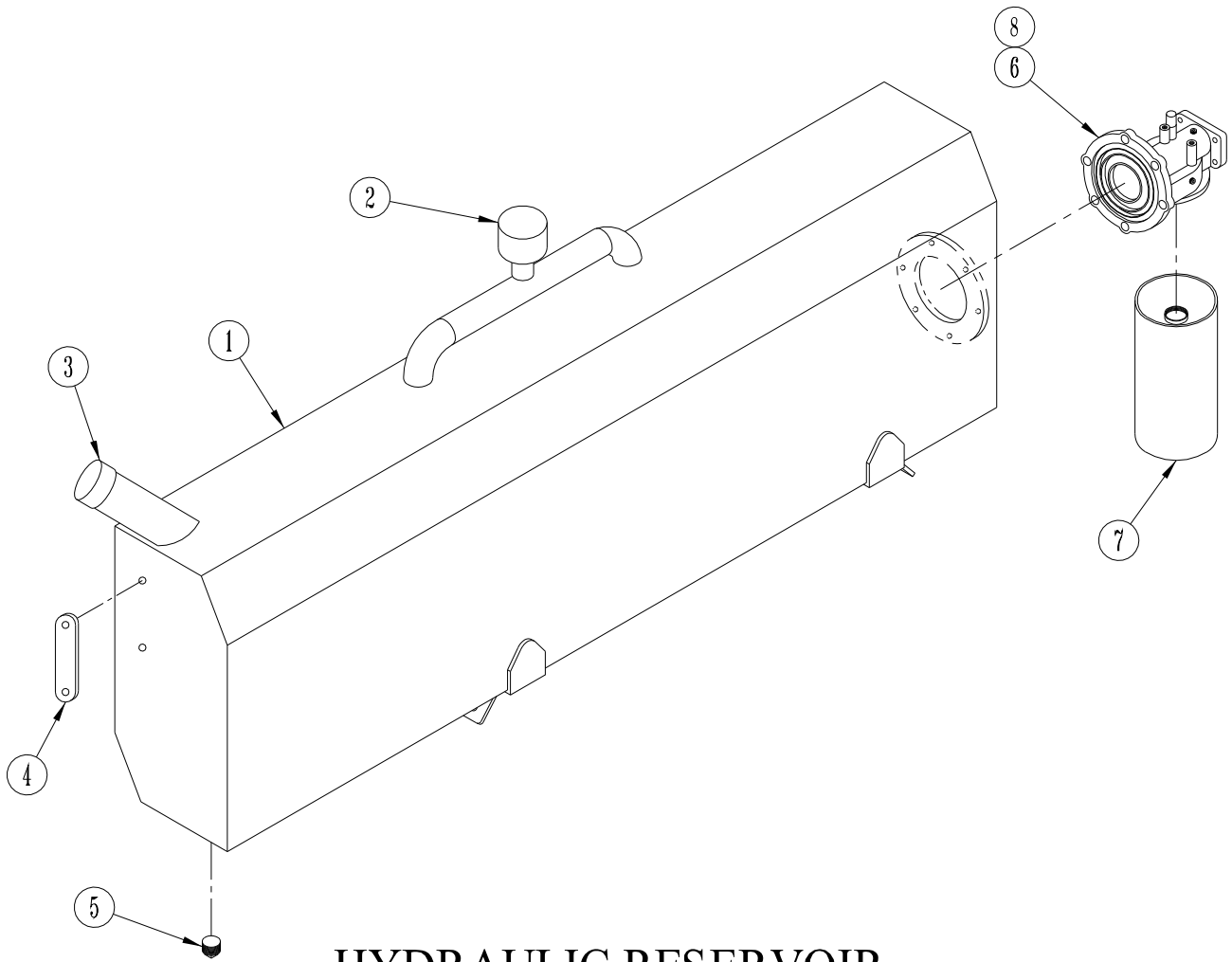


ITEM	PART NO.	DESCRIPTION	QTY
1	1211-00	Valve Block - Hydraulic Requires: 1200-400SS (3) Hex Head Capscrew - 1/2" UNC x 1" SS 1209-63 (3) Lock Washer - 1/2" SS	1
2	1202-119	Plug	6
3	1202-117	Adapter - Straight	3
4	1202-210	Adapter - Elbow	1
5	1211-80	Cartridge - PSI Compensator	2
6	1211-01 A	Valve - Hydraulic Servo	2
6A	1211-011 A	Valve - PWM	2
7	1202-118	Plug	3
8	1202-116	Adapter - Straight	1
9	1211-945	Valve - Hydraulic Relief	1
10	1202-120	Plug	1
11	1211-80K	Seal Kit	As Req'd
12	1211-95K	Seal Kit	As Req'd
13	1211-01 K	Seal Kit	As Req'd
14	1207-131	Hose Assy	1
15	1211-011SK	Seal Kit	1



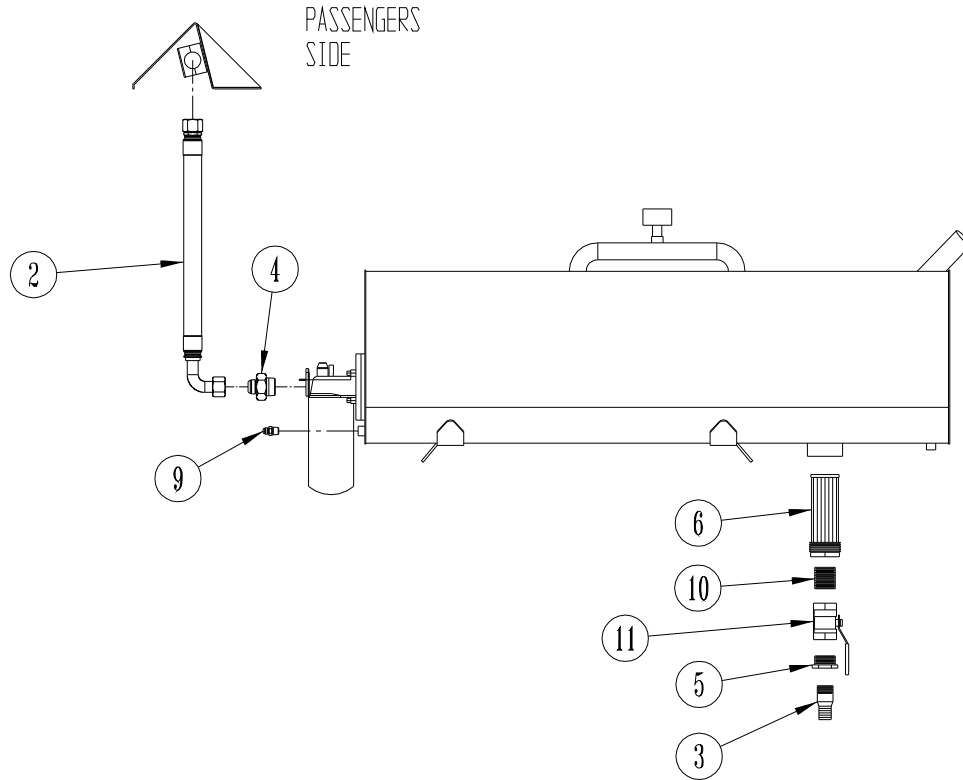
ITEM	PART NO.	DESCRIPTION	QTY
1	1211-00 1200-400SS 1209-63	Valve Block - Hydraulic Requires: (3) Hex Head Capscrew - 1/2" UNC x 1" SS (3) Lock Washer - 1/2" SS	1
2	1202-119	Plug	6
3	1202-117	Adapter - Straight	3
4	1202-210	Adapter - Elbow	1
5	1211-80	Cartridge - PSI Compensator	2
6	1211-01 A 6A 1211-011 A	Valve - Hydraulic Servo Valve - PWM	2 2
7	1202-118	Plug	2
8	1202-113	Adapter - Straight	1
9	1211-945	Valve - Hydraulic Relief	1
10	1202-120	Plug	1
11	1211-80K	Seal Kit	As Req'd
12	1211-95K	Seal Kit	As Req'd
13	1211-01 K	Seal Kit	As Req'd
14	1207-400	Hose Assy	1
15	1202-2056	Adapter - Elbow	1
16	1207-401	Hose Assy	1
17	1202-3020	Adapter - Straight	1
18	1202-302	Adapter - Straight	1
19	1211-602	Check Valve	1
20	1202-2057	Adapter - Elbow	1
21	90DB-6	O-Ring	1
22	1211-011 SK	Seal Kit	1





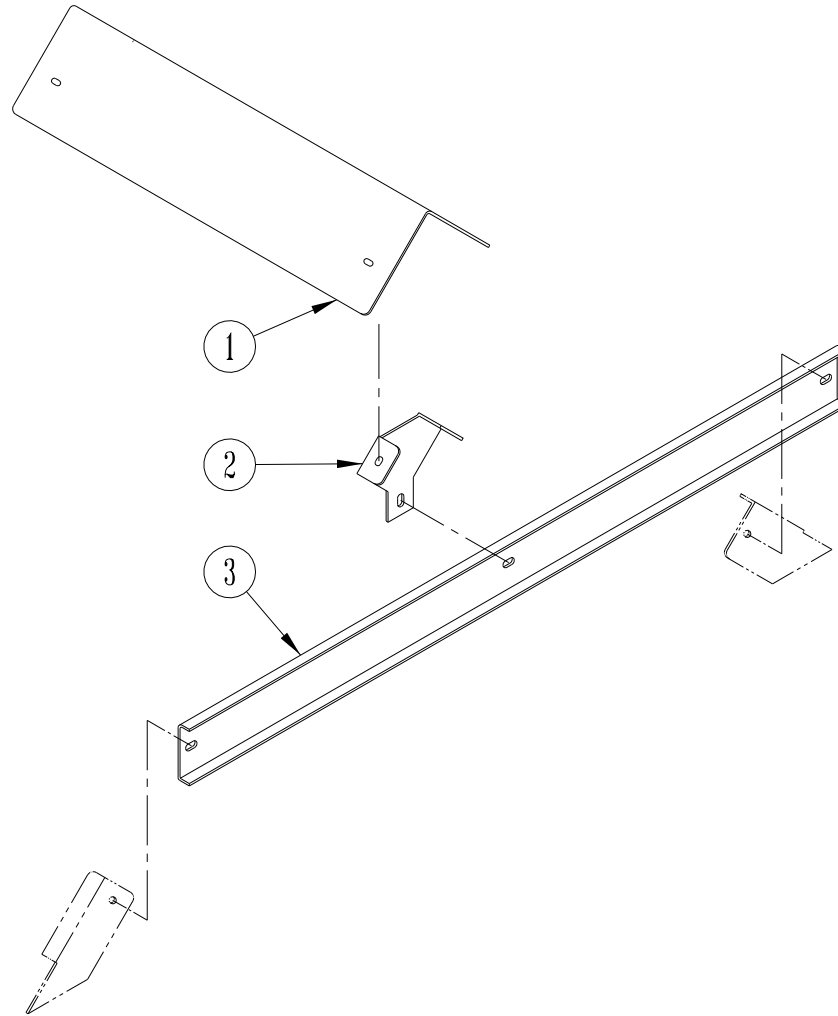
## HYDRAULIC RESERVOIR

ITEM	PART NO.	DESCRIPTION	QTY
1	1234-201	Weldment - Reservoir, Hydraulic	1
	1200-4011	Requires:	
	1205-36	(4) Hex Head Cap Screw - 1/2" UNC x 1-1/4" SS	
	1209-63	(4) Nut - 1/2" UNC SS	
		(4) Lock Washer - 1/2" SS	
		Per Tank	
2	1220-34	Breather - Reservoir	1
3	1220-475	Cap - Fill	1
4	1221-9	Guage - Sight	1
5	1201-239	Plug - SS	1
6	1100-195	Housing - Filter	1
7	1220-37	Element - Filter	1
8	1100-195K	Seal Kit - Filter Housing	1



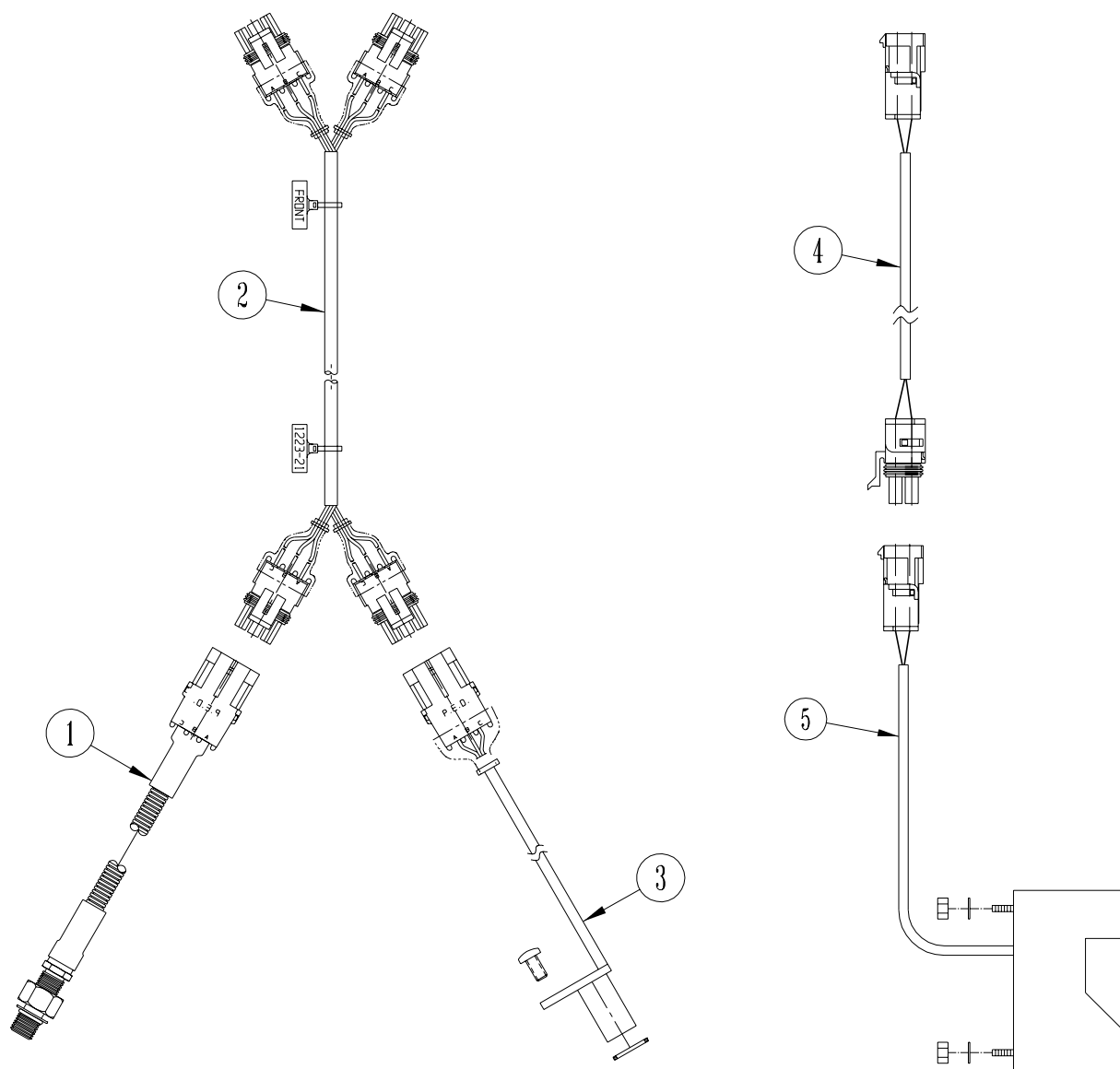
## RESERVOIR/PUMP HYDRAULICS

ITEM	PART NO.	DESCRIPTION	QTY.
1			
2	1 207-027	Hose - Hydraulic, Return	1
3	1 201-189	Nipple - King, SS	1
4	1 202-1027	Adapter - Straight	1
5	1 201-296	Bushing - Reducer, SS	1
6	1 220-36	Strainer - Suction	1
7			
8			
9	1 202-1003	Adapter - Straight	1
10	1 201-288	Optional Nipple - Close, SS (req'd w/opt. shutoff valve)	1
11	1 211-13	Optional Valve - Shutoff, SS	1



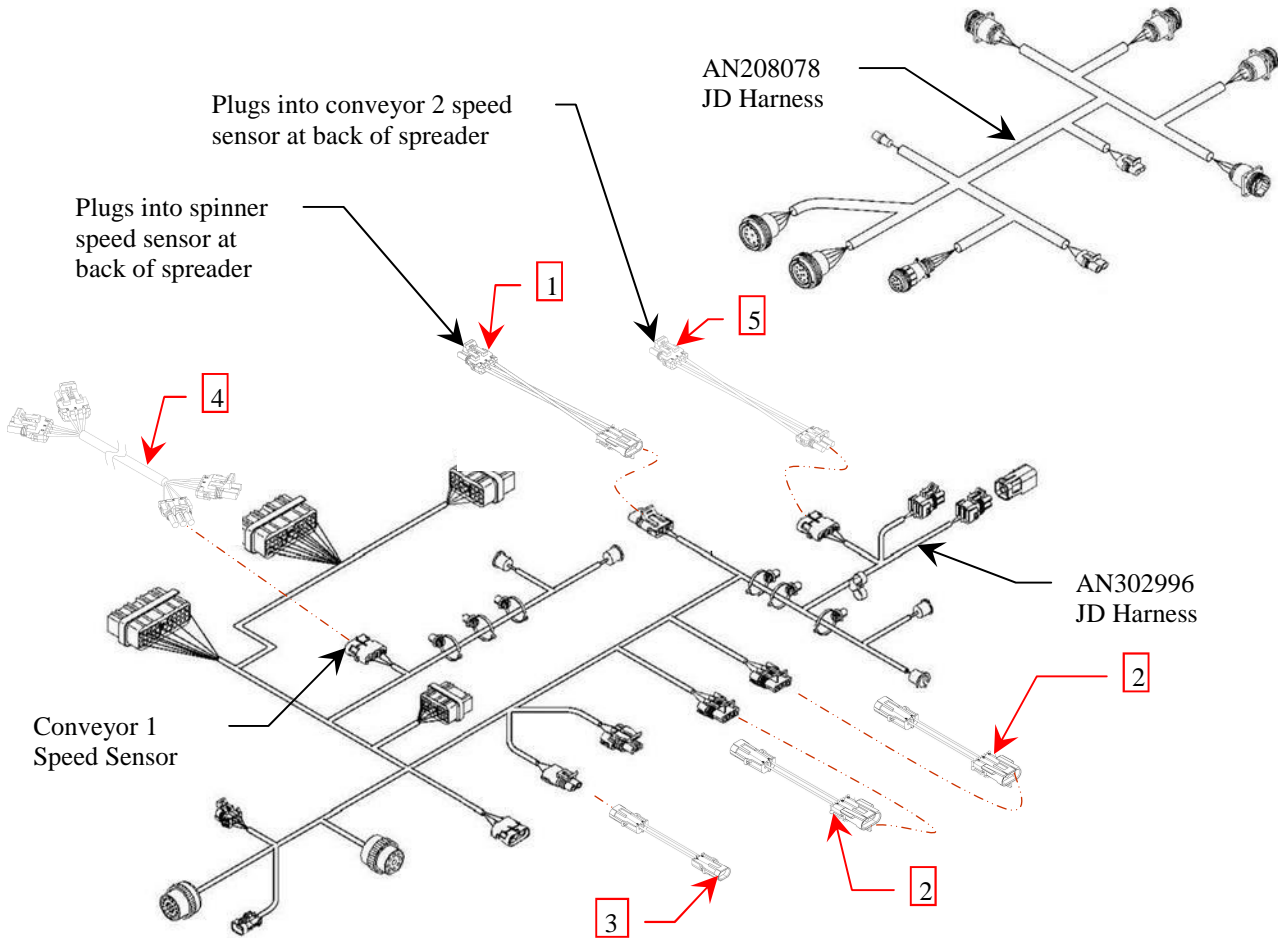
## OPTIONAL INVERTED "V" & CROSS BRACE ASSEMBLY

<u>ITEM</u>	<u>PART NO.</u>	<u>DESCRIPTION</u>	<u>QTY</u>
1	1235-105	Inverted "V" Requires:	1
	1200-302SS	(4) Carriage Bolt - 3/8" UNC X 1" Lg. SS	
	1205-27	(4) Nut - 3/8" SS	
	1209-41	(4) Flat Washer - 3/8" SS	
	1209-43	(4) Lock Washer - 3/8" SS	
2	1234-106	Bracket - Inverted "V"	2
3	1234-107	Cross Brace Requires:	2
	1200-401	(6) Carriage Bolt - 1/2" UNC X 1 1/4" Lg. SS	
	1205-36	(6) Nut - 1/2" SS	
	1209-61	(6) Flat Washer - 1/2" SS	
	1209-63	(6) Lock Washer - 1/2" SS	



## SENSOR WIRING HARNESS

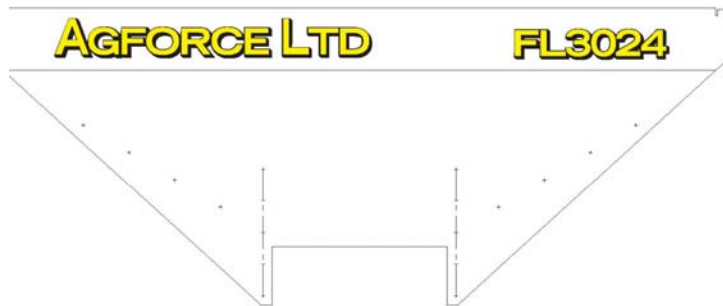
ITEM	PART NO.	DESCRIPTION	QTY
1	1223-600	Sensor - Conveyor Speed	1
2	1223-21	Cable Assy - Sensor	1
3	1223-22	Sensor - Hub Assy	1
4	1223-829	Optional Cable - Ass'y Bin Level	1
5	1223-64	Optional Sensor - Bin Level	1



## John Deere AN302996 Electrical Harness Adapter Kit

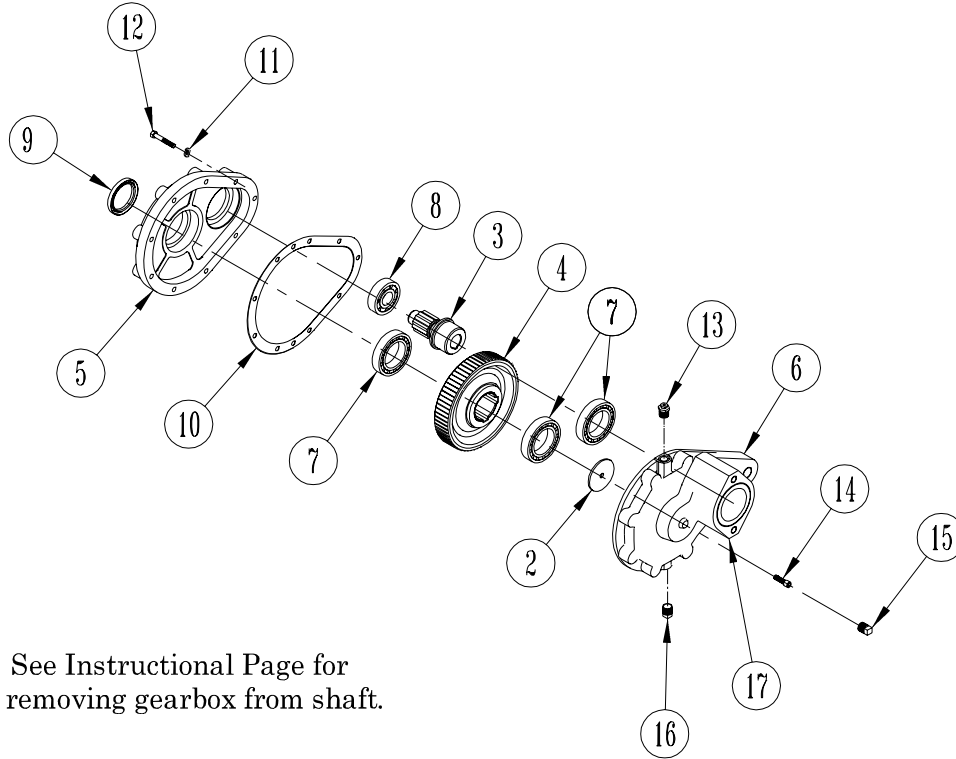
<u>ITEM</u>	<u>PART NO.</u>	<u>DESCRIPTION</u>	<u>QTY.</u>
1	1223-4030	Adapter Cable - Spinner Speed Sensor	1
2	1223-402	Adapter Cable - Conveyor 1 & 2 Servo Valves	2
3	1223-4040	Adapter Cable - Spinner Valve	1
4	1223-21	Cable Assy—Sensor	1
5	1223-4039	Adapter Cable - Conveyor 2 Speed Sensor	1

Part #'s listed are current as of Jan. 2010 - Verify with your local JD Dealer.



## Decals

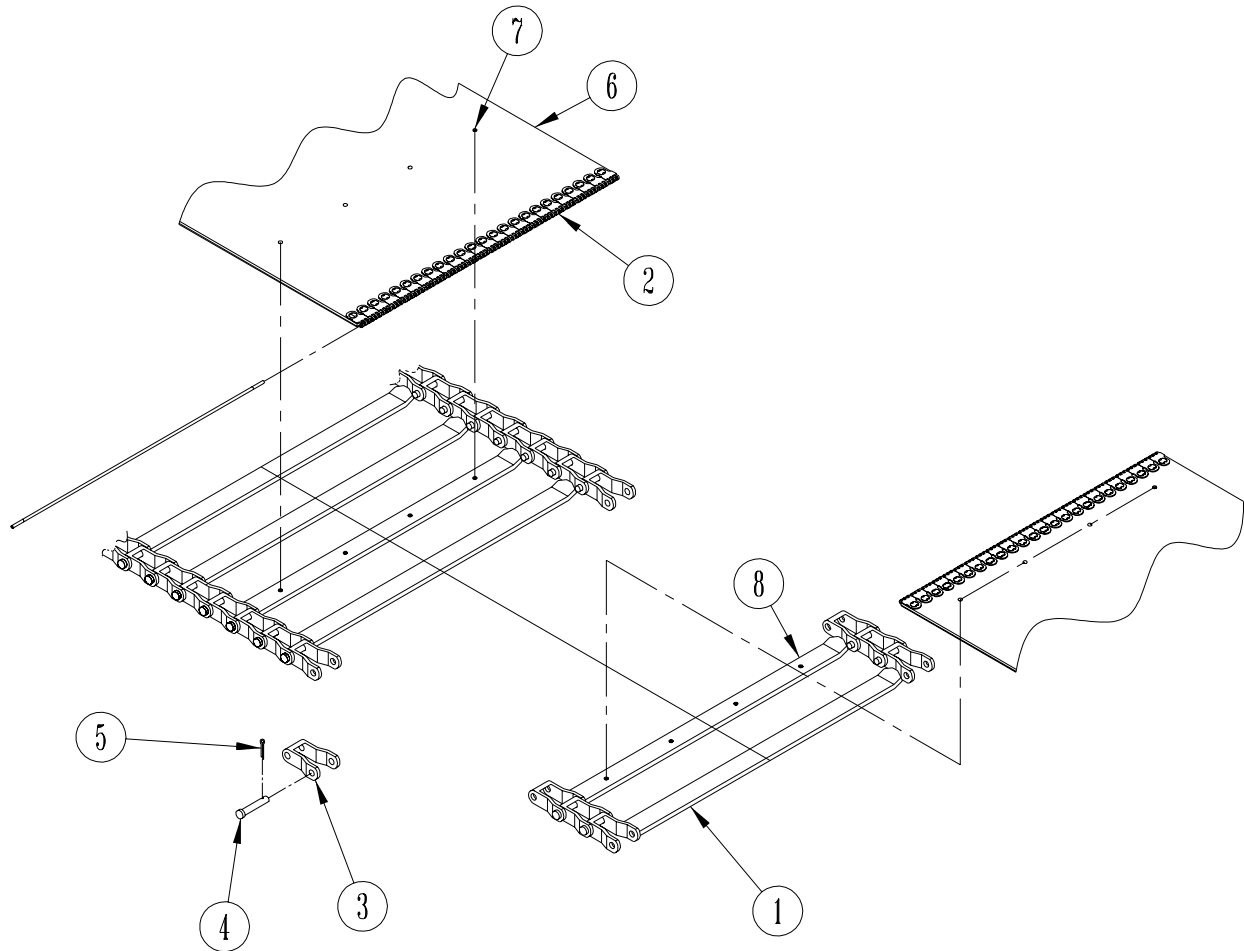
<u>ITEM</u>	<u>PART NO.</u>	<u>DESCRIPTION</u>	<u>QTY.</u>
1	1235-060	Decal - AGFORCE LTD	3
2	1235-040	Decal - LTD FL3024	3
3	1234-055	Decal - Chain Tension	1
4	1234-056	Decal - Hydraulic Oil	1



NOTE: See Instructional Page for removing gearbox from shaft.

## SINGLE SPEED GEAR BOX 6:1

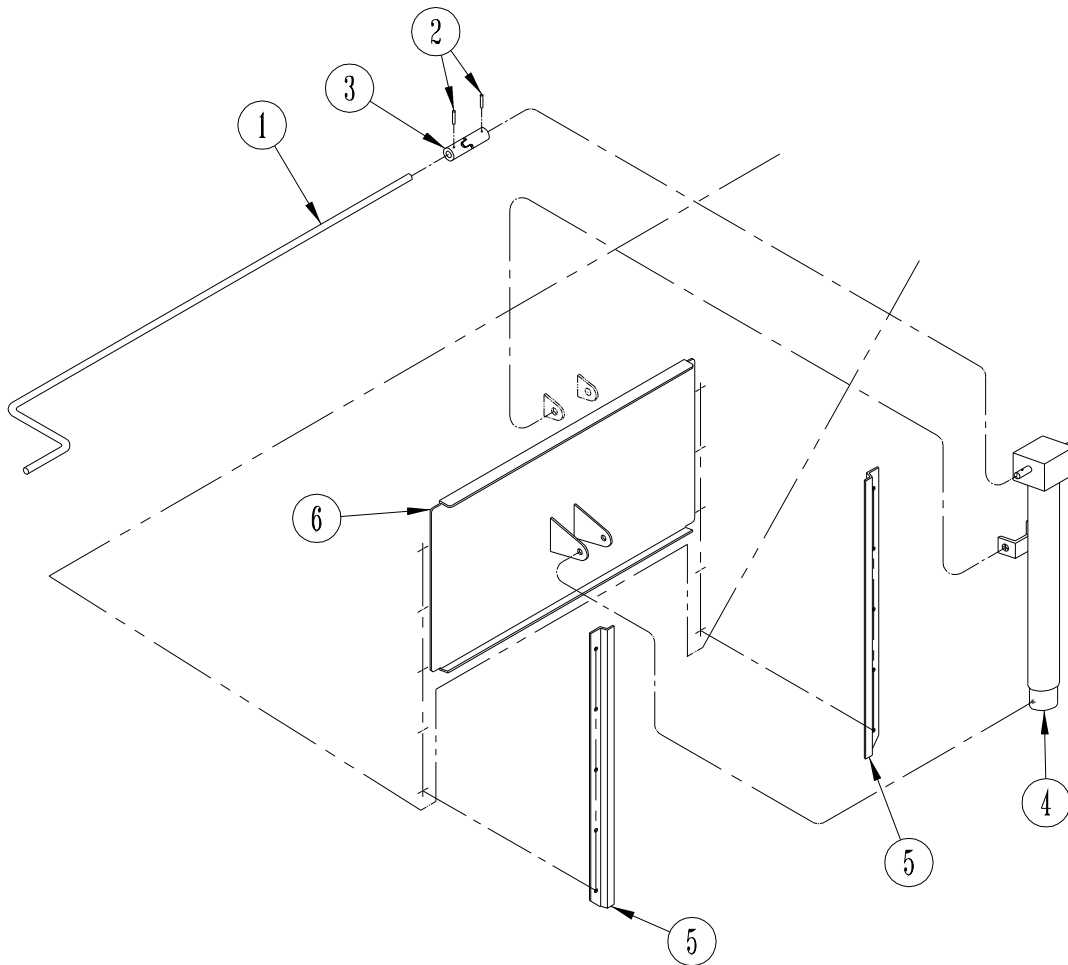
ITEM	PART NO.	DESCRIPTION	QTY
1	1220-499	Ass'y - Gear Box	1
2	1209-101	Washer - Retainer	1
3	1217-1100	Gear - Pinion	1
4	1217-1110	Gear - Driven	1
5	1220-499i	Housing - Inboard, Gear box	1
6	1220-499o	Housing - Outboard, Gearbox	1
7	1217-104	Bearing	3
8	1217-107	Bearing	1
9	1204-07	Seal - Oil	1
10	1204-09	Gasket	1
11	1209-31	Lock Washer	9
12	1200-255	Bolt	9
13	1220-501	Breather	1
14	1200-251 A	Capscrew - Socket Head 5/16-18 x 1"	1
15	1201-238	Plug - 1/2" Square Head	1
16	1201-238M	Plug - 1/2" Square Head, Magnetic	1
17	1220-499A	Input Adapter Plate	1



## **BELT OVER PINTLE CHAIN**

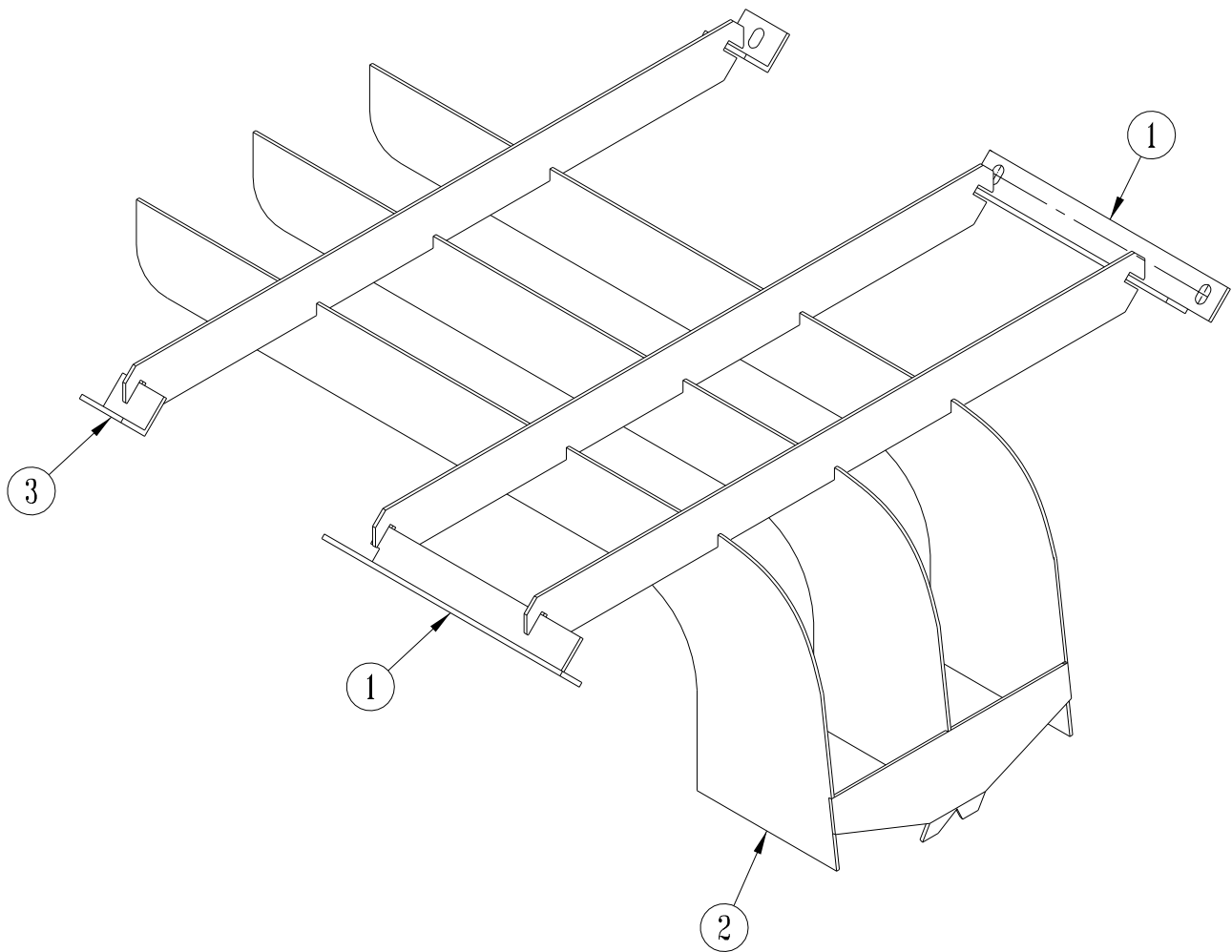
<b><u>ITEM</u></b>	<b><u>PART NO.</u></b>	<b><u>DESCRIPTION</u></b>	<b><u>QTY.</u></b>
1	1234-907	Weldment - Crossbar (without holes)	As Req'd
2	1000-42 1000-43	Splice Kit - M/S Splice Kit - S/S	1
3	1234-901	Link - Pintle Chain	As Req'd
4	1234-902	Pin - Pintle Chain	As Req'd
5	1234-903	Cotter Pin	As Req'd
6	1000-24	Belt - Conveyor (Specify Box Length)	As Req'd
7	1209-40C 1209-41C 1200-248 1200-249 1200-2515	Washer - Dimpled M/S Washer - Dimpled S/S Allen Head Cap Screw - Alloy Steel Allen Head Cap Screw - Stainless Steel Allen Head Cap Screw - Alloy Steel (Used on High Temp BOC only)	As Req'd
8	1234-908	Weldment - Crossbar (with holes)	As Req'd
	1234-922 1234-923 1234-924	Assembly - Belt Over Chain - 12' Box Assembly - Belt Over Chain - 13' Box Assembly - Belt Over Chain - 14' Box	As Req'd





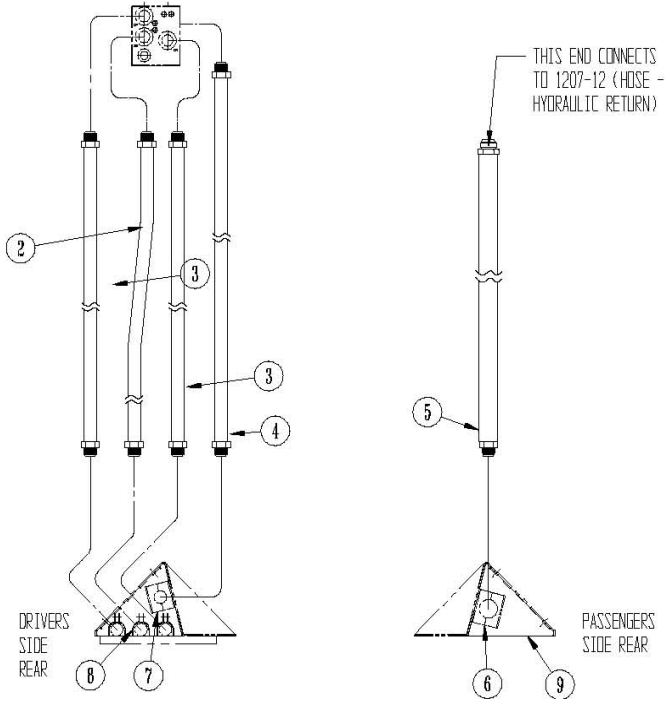
**FEEDGATE ASSEMBLY**

ITEM	PART NO.	DESCRIPTION	QTY
1	1218-81 LTD	Handle	1
2	1208-015	Roll Pin	2
3	1218-85	U-Joint	1
4	1218-80	Assembly - Jack	1
	1200-310	Lower Tab Requires: (1) Hex Head Capscrew - 3/8" UNC x 3" MS	
	1209-42	(1) Lock Washer - 3/8" MS	
	1205-21	(1) Nut - 3/8" UNC MS	
	1200-416	Upper Tab Requires: (1) Hex Head Capscrew - 1/2" UNC x 4" MS	
	1209-62	(1) Lock Washer - 1/2" MS	
	1205-37	(1) Nut - 1/2" UNC MS	
5	1218-86	Slides - Feedgate	1-RH, 1-LH
	1200-202	Requires (Per Slide): (5) Hex Head Capscrew - 1/4" UNC x 1" SS	
	1209-22	(5) Lock Washer - 1/4" SS	
	1205-11	(5) Nut - 1/4" UNC SS	
6	1234-350	Weldment - Feedgate	1



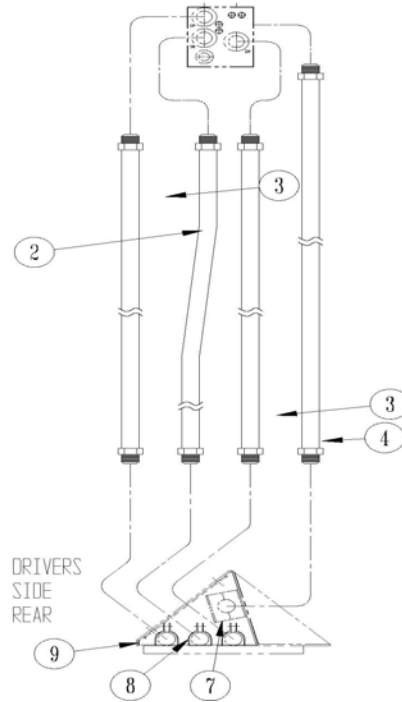
## HILLSIDE FLOW DIVIDER

<u>ITEM</u>	<u>PART NO.</u>	<u>DESCRIPTION</u>	<u>QTY.</u>
	1235-451	Assembly - Hillside Flow Divider	
1	1234-452	Bracket - Mounting Requires: 1200-302SS (2) Carriage Bolt - 3/8" UNC x 1" S/S 1209-41 (2) Flat Washer - 3/8" S/S 1209-43 (2) Lock Washer - 3/8" S/S 1205-27 (2) Nut - 3/8" UNC S/S Per Bracket	1-RH, 1-LH
2	1235-453	Weldment - Hillside Flow Divider	1
3	1235-454	Bracket - Mounting Requires: 1200-302SS (1) Carriage Bolt - 3/8" UNC x 1" S/S 1209-41 (1) Flat Washer - 3/8" S/S 1209-43 (1) Lock Washer - 3/8" S/S 1205-27 (1) Nut - 3/8" UNC S/S Per Bracket	2



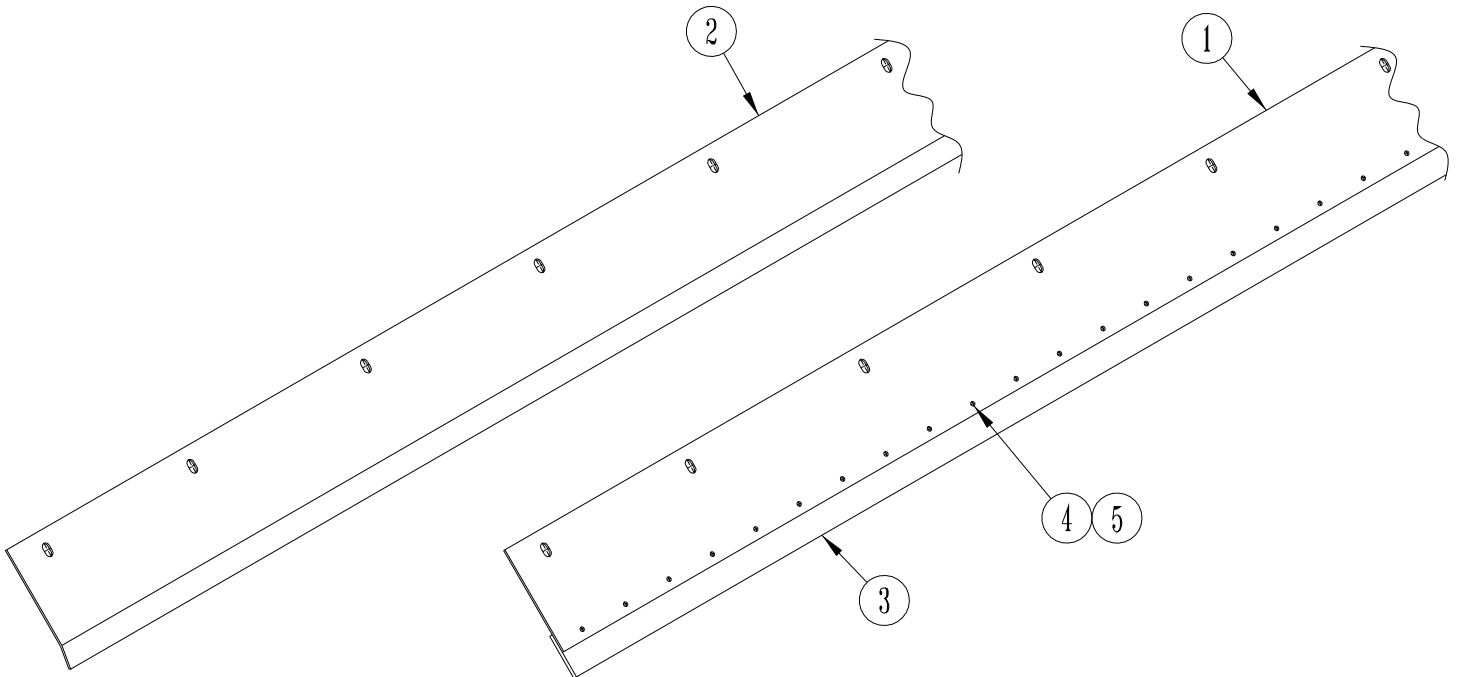
**HYDRAULIC PIPES**

ITEM	PART NO.	DESCRIPTION	QTY.
2	1234-532	Hydraulic Pipe -12' Box	1
	1234-533	Hydraulic Pipe -13' Box	
	1234-534	Hydraulic Pipe -14' Box	
	1234-535	Hydraulic Pipe -15' Box	
	1236-538	Hydraulic Pipe -18' Box	
3	1234-522	Hydraulic Pipe -12' Box	2
	1234-523	Hydraulic Pipe -13' Box	
	1234-524	Hydraulic Pipe -14' Box	
	1234-525	Hydraulic Pipe -15' Box	
	1236-528	Hydraulic Pipe -18' Box	
4	1234-552	Hydraulic Pipe -12' Box	1
	1234-553	Hydraulic Pipe -13' Box	
	1234-554	Hydraulic Pipe -14' Box	
	1234-555	Hydraulic Pipe -15' Box	
	1236-558	Hydraulic Pipe -18' Box	
5	1234-542	Hydraulic Pipe -12' Box	1
	1234-543	Hydraulic Pipe -13' Box	
	1234-544	Hydraulic Pipe -14' Box	
	1234-545	Hydraulic Pipe -15' Box	
	1236-548	Hydraulic Pipe -18' Box	
6	1208-93	Clamp - Pipe	2
7	1208-92	Clamp Pipe	1
8	1208-96	Clamp - Pipe	3
9	1234-559	Cap-Hydraulic Line Cover	1-RH, 1-LH
	1200-3011	Requires:	
	1205-27	(2) Hexhead Capscrew - 3/8"UNC 1"SS	
	1209-43	(2) Hex Nut - 3/8" UNC SS (2) Lock Washer - 3/8" SS Per Cover	



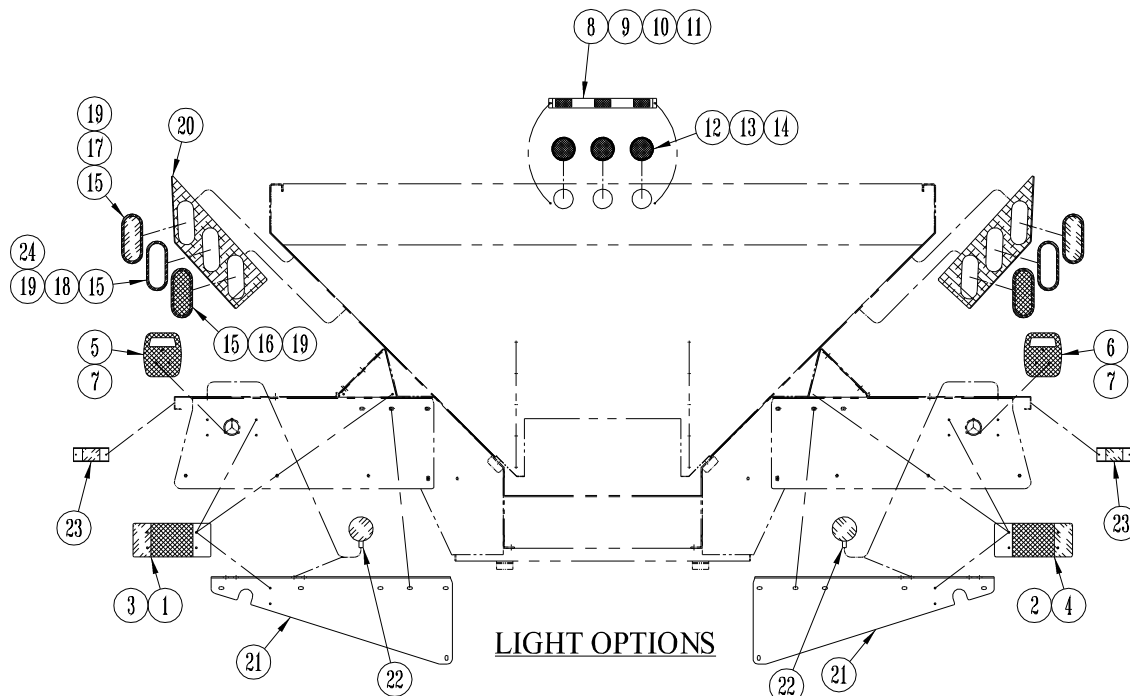
**JD 4920/4930 HYDRAULIC PIPES**

ITEM	PART NO.	DESCRIPTION	QTY.
2	1234-532	Hydraulic Pipe - 12' Box	1
3	1234-522	Hydraulic Pipe - 13' Box	2
4	1234-552	Hydraulic Pipe - 14' Box	1
5			
6			
7	1208-92	Clamp - Pipe	1
8	1208-96	Clamp -Pipe	3
9	1234-559 1200-3011 1205-27 1209-43	Cap - Hydraulic Line Cover Requires: (2) Hexhead Capscrew 3/8" UN x 1"SS (2) Hex Nut - 3/8" UNC SS (2)Lock Washer - 3/8" SS Per Cover	1-RH, 1-LH



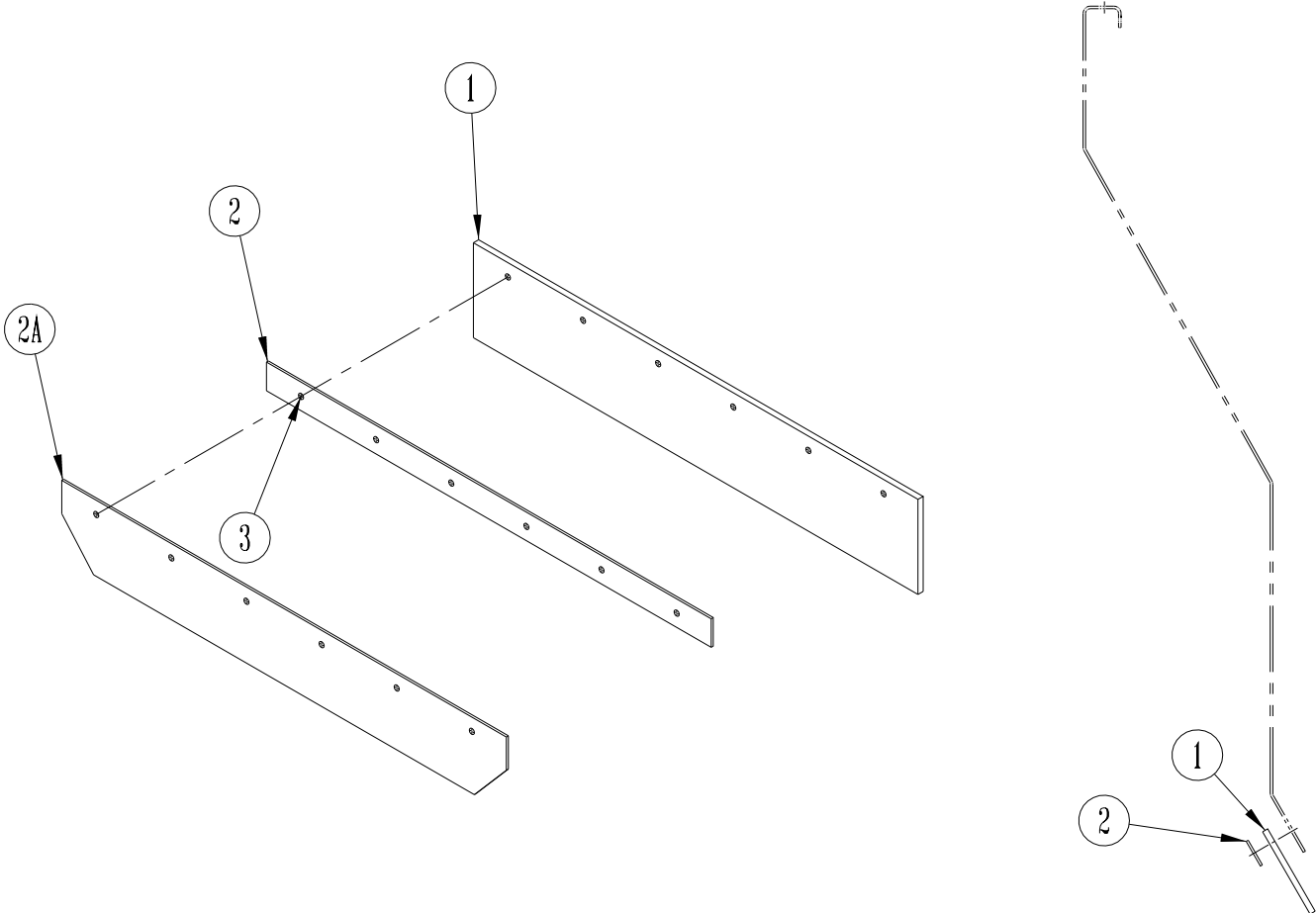
## **CHAIN SHIELDS**

<b><u>ITEM</u></b>	<b><u>PART NO.</u></b>	<b><u>DESCRIPTION</u></b>	<b><u>QTY</u></b>
1	1235-912	Weldment - Chain Shield #4 BOC - Agforce LTD Box	1-RH, 1-LH
	1200-302SS	Requires: Carriage Bolt - 3/8" UNC x 1" SS	14
	1209-43	Lock Washer - 3/8" SS	14
	1205-27	Nut - 3/8" UNC SS	14
		Per Chain Shield Weldment	
2	1235-932	Weldment - Chain Shield #2 Chain only - Agforce LTD Box	1-RH, 1-LH
	1200-302SS	Requires: Carriage Bolt - 3/8" UNC x 1" SS	14
	1209-43	Lock Washer - 3/8" SS	14
	1205-27	Nut - 3/8" UNC SS	14
		Per Chain Shield Weldment	
3	1000-37	Seal Strips - Agforce LTD Box	2
4	1205-86	T-Nut	52 Per Chain Shield Weldment
5	1200-086	Button Head Socket Cap Screw	52 Per Chain Shield Weldment



**LIGHT OPTIONS**

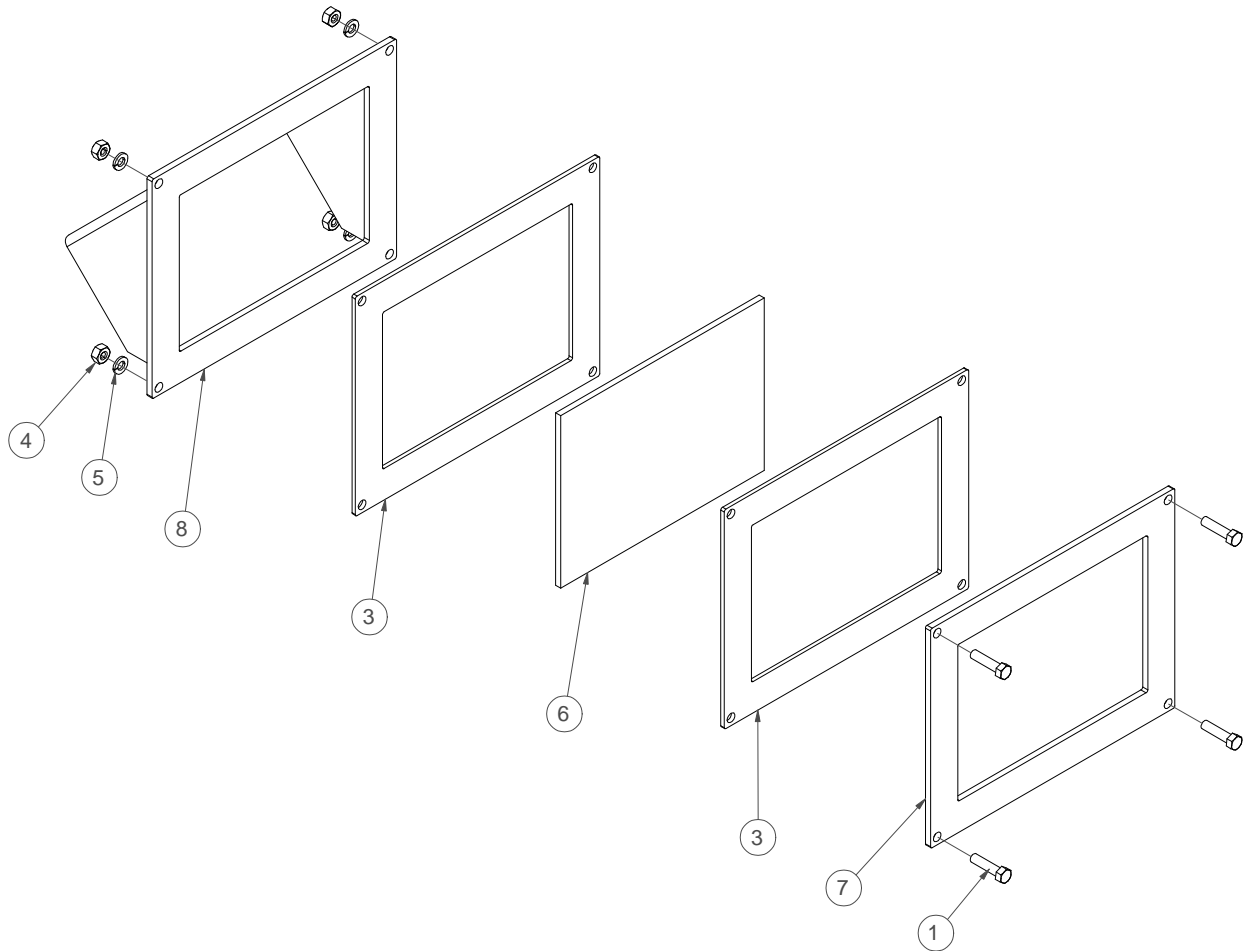
ITEM	PART NO.	DESCRIPTION	QTY.
1	1214-270L	Assembly - Left Hand - Tail Light, Red/Amber/Clear	1
2	1214-270R	Assembly - Right Hand - Tail Light, Red/Amber/Clear	1
	1223-752	Wiring Harness for 1214-270	1
	1223-753	Extension Cable - from 1223-752 to tractor 7 terminal connector (req'd on trailer units only)	1
3	1214-271L	Lens - Left Hand, Red/Amber/Clear	As Req'd
4	1214-271R	Lens - Right Hand, Red/Amber/Clear	As Req'd
5	1214-250L	Assembly - Left Hand - Tail Light, Red/Clear	1
6	1214-250R	Assembly - Right Hand - Tail Light, Red/Clear	1
7	1214-2	Assembly - Universal - Tail Light, Red/Clear	2
8	1214-290	Assembly - ID Bar, SS, 3-Light	1
9	1214-291	Housing - ID Bar - SS	As Req'd
10	1214-292	Lamp - 12V - Red	As Req'd
11	1214-293	Wiring Harness - ID Bar	As Req'd
12	1214-282	Marker Light - Red	3
13	1214-282G	Grommet - Round	3
14	1214-282P	Pigtail	3
15	1214-283G	Grommet - Oval	6
16	1214-283R	Oval Lamp - Red	2
17	1214-283Y	Oval Lamp - Yellow	2
18	1214-283C	Oval Lamp - Clear	2
19	1214-283P	Pigtail	6
20	1236-250	Weldment - Tail Light Box Requires: 1200-302SS (2) Carriage Bolt - 3/8" UNC X 1" SS 1205-27 (2) Nut - 3/8" SS 1209-43 (2) Lock Washer - 3/8" SS 1209-41 (2) Flat Washer - 3/8" SS Per Weldment	1-RH, 1-LH
21	1234-603	Wide Tail Light Bracket - Optional on Agforce LTD & Trailers Requires: 1209-43 (2) Lock Washer - 3/8" SS 1205-27 (2) Nut - 3/8" UNC SS 1200-302SS (2) Carriage Bolt - 3/8" UNC x 1" SS Per Bracket	1-RH, 1-LH
22	1214-25	Flasher - Amber	2
23	1214-284Y	Side Marker - Yellow	2
	1214-284R	Side Marker - Red	2
24	1214-283S	Oval Lamp - Yellow Strobe	As Req'd



## FRONT BELT SEALER

<u>ITEM</u>	<u>PART NO.</u>	<u>DESCRIPTION</u>	<u>QTY</u>
1	1234-905 1234-905HT 1234-905SC	Front Belt Sealer Strip Front Belt Sealer Strip - High Temp Front Belt Sealer Strip - Straight Chain	1
2	1234-906	Back Plate For Units w/belt over chain	1
2A	1234-906SC	Back Plate For Units w/straight chain only	1
3	1200-202 1209-22 1205-11	(6) Hex Head Cap Screw - 1/4" UNC x 1" S/S (6) Lock Washer - 1/4" S/S (6) Nut - 1/4" UNC S/S	

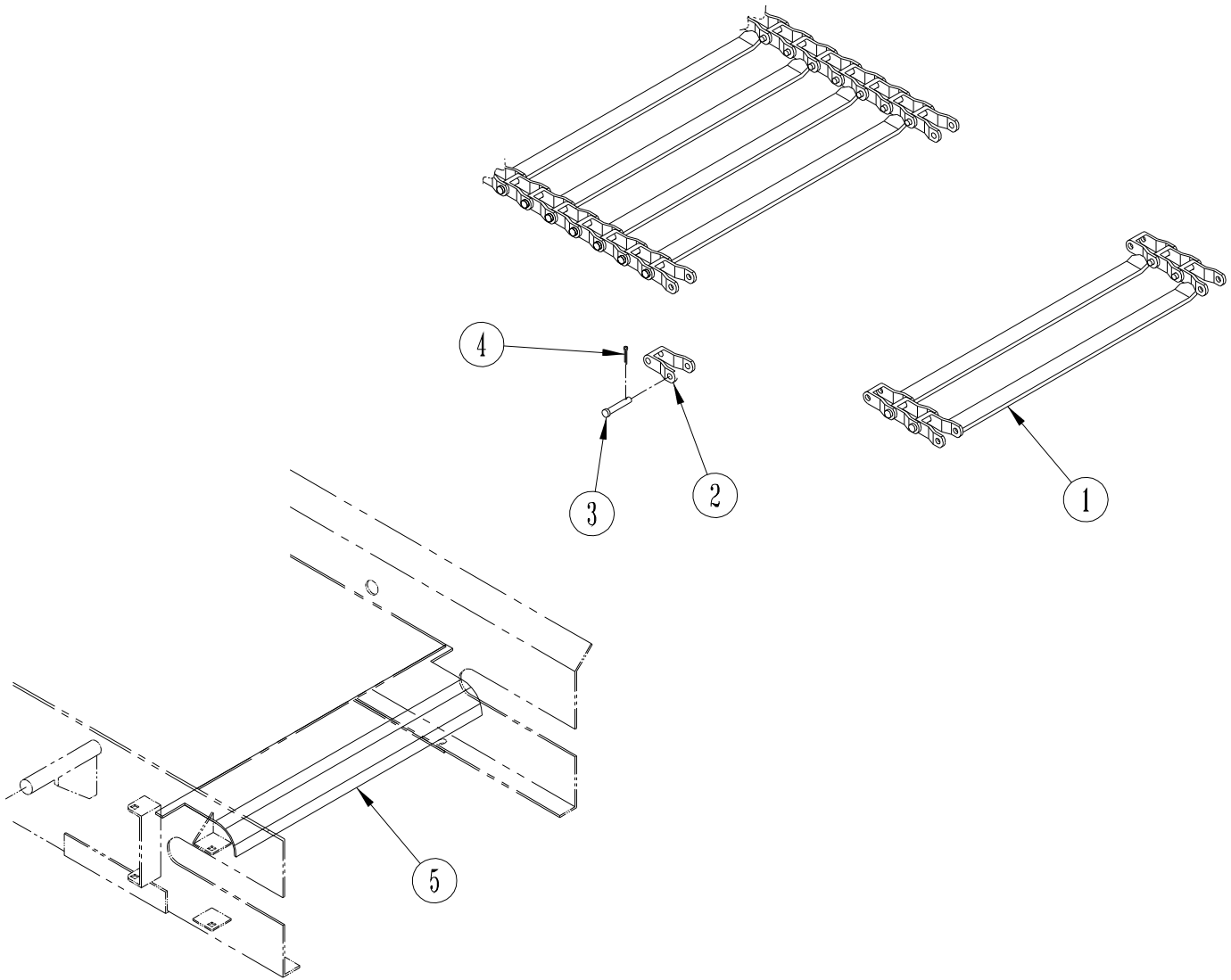
## BOX WINDOW - OPTIONAL



1234-950 Window Assembly - Complete (Includes items 1 - 8)

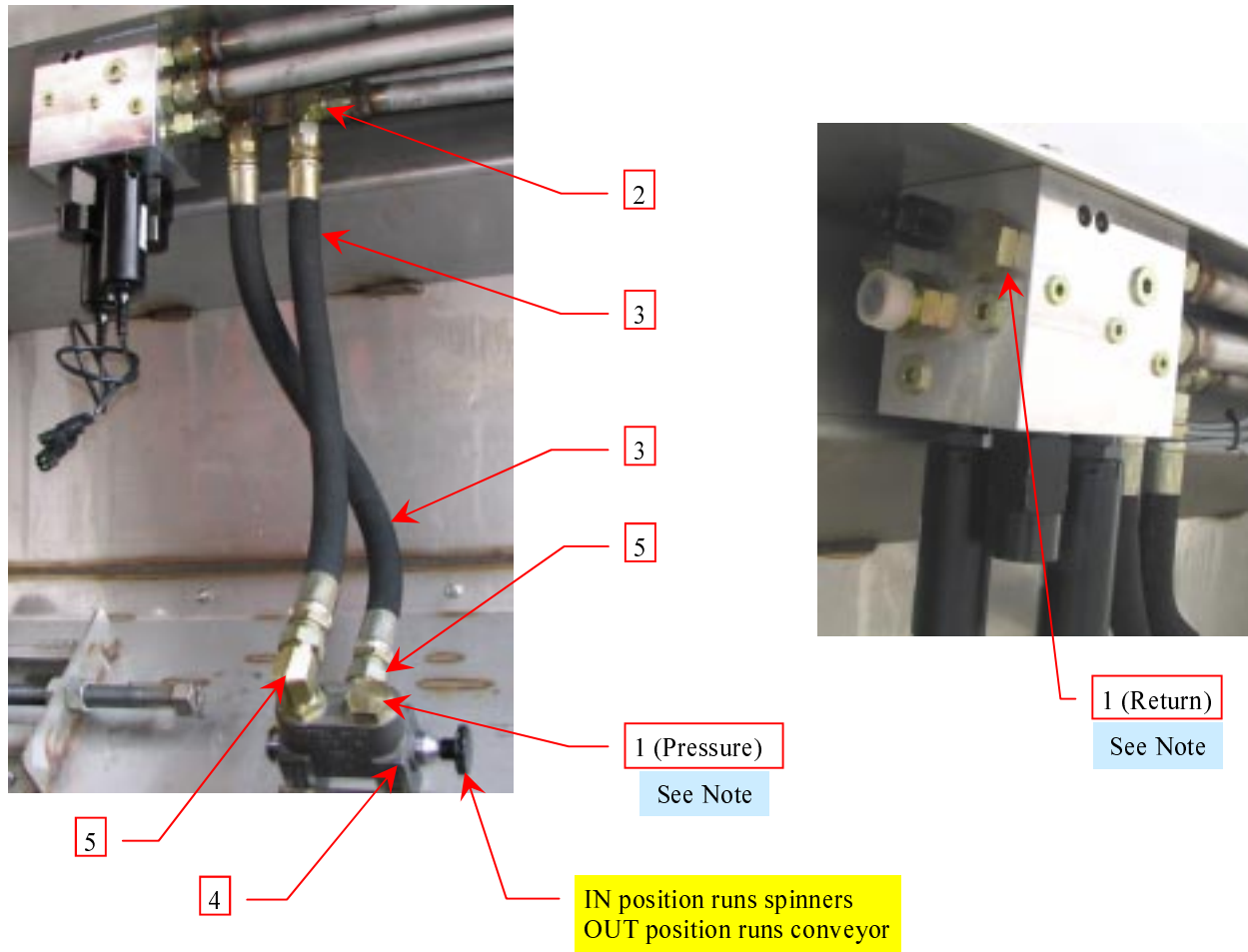
ITEM	PART NO.	DESCRIPTION	QTY
1	1200-2049	Hex Head Capscrew - 1/4" .UNC x 1 1/2" L	4
3	F 1026	Gasket - Cork	2
4	1205-11	Nut - 1/4" UNC SS	4
5	1209-22	Lock Washer - 1/4" SS	4
6	F 1025	Window	1
7	1234-952	Back Plate - Window	1
8	1234-951	Weldment - Window Guard	1





## STRAIGHT CHAIN

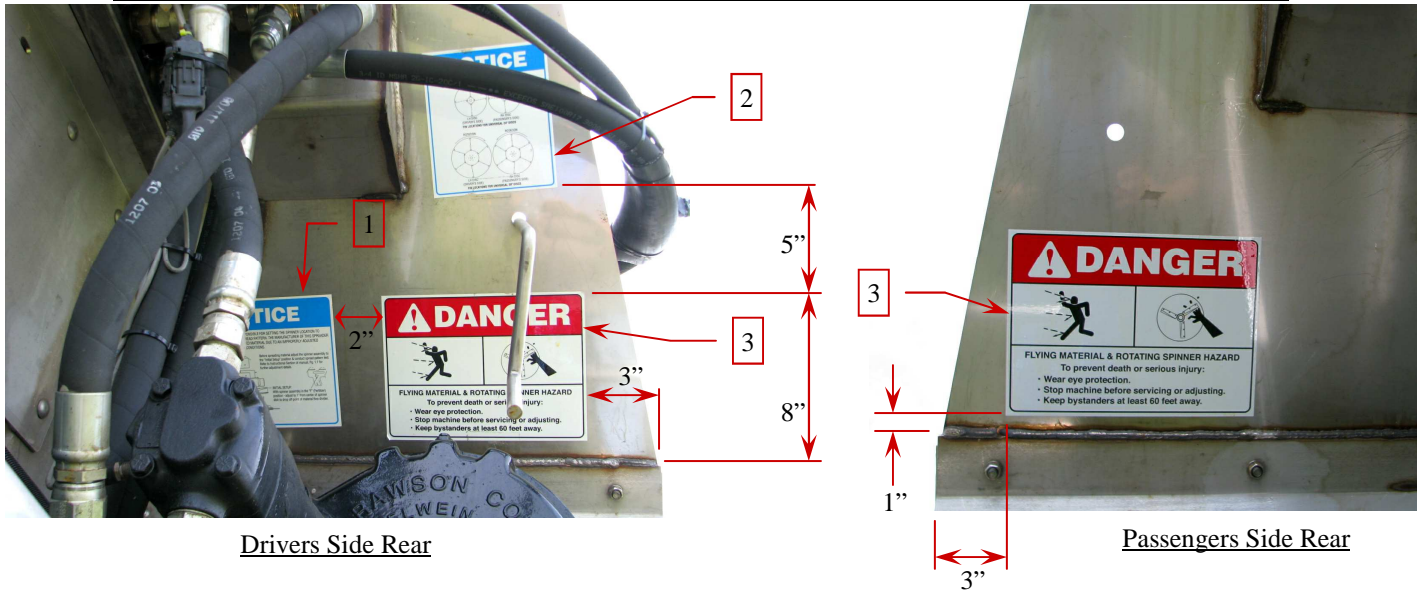
<u>ITEM</u>	<u>PART NO.</u>	<u>DESCRIPTION</u>	<u>QTY.</u>
1	1234-907	Weldment - Crossbar	As Req'd
2	1234-901	Link - Pintle Chain	As Req'd
3	1234-902	Pin - Pintle Chain	As Req'd
4	1234-903	Cotter Pin	As Req'd
	1234-9XX	Assembly - #2 Straight Chain - Bar every other link (Specify Box Length)	As Req'd
	1234-9XX	Assembly - #3 Straight Chain - Bar every link (Specify Box Length)	As Req'd
5	1234-904	Conveyor Bed Extension (Req'd on all Straight Chain Units Only)	1



NOTE: Spinner circuit controls conveyor.

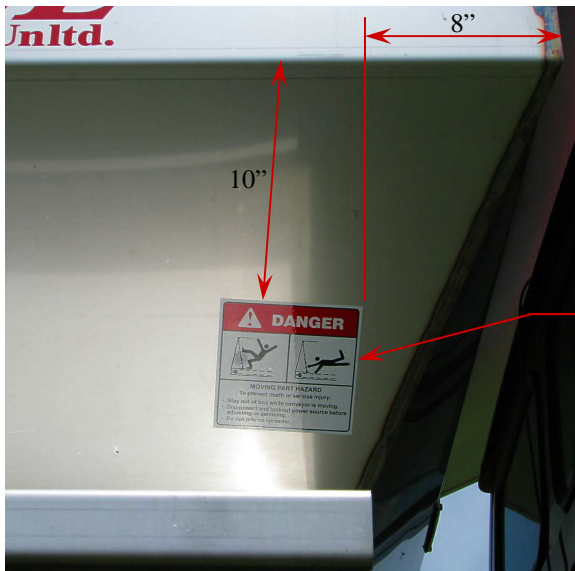
## Optional Remote Conveyor Hydraulics

<u>ITEM</u>	<u>PART NO.</u>	<u>DESCRIPTION</u>	<u>QTY.</u>
	1202-500	Assembly (Includes items 1 thru 5)	1
1	1202-120	Plug (Note: Remove plugs & install quick couplers with adequate pressure/return hose where applicable)	2
2	1202-199	Weldment - Adapter	1
3	1207-500	Hose Ass'y	2
4	1222-20	Valve - Selector Requires: 1200-307 1205-21 1209-42	1
5	1202-201	Adapter - Elbow	2



Drivers Side Rear

Passengers Side Rear



Passengers Side Front

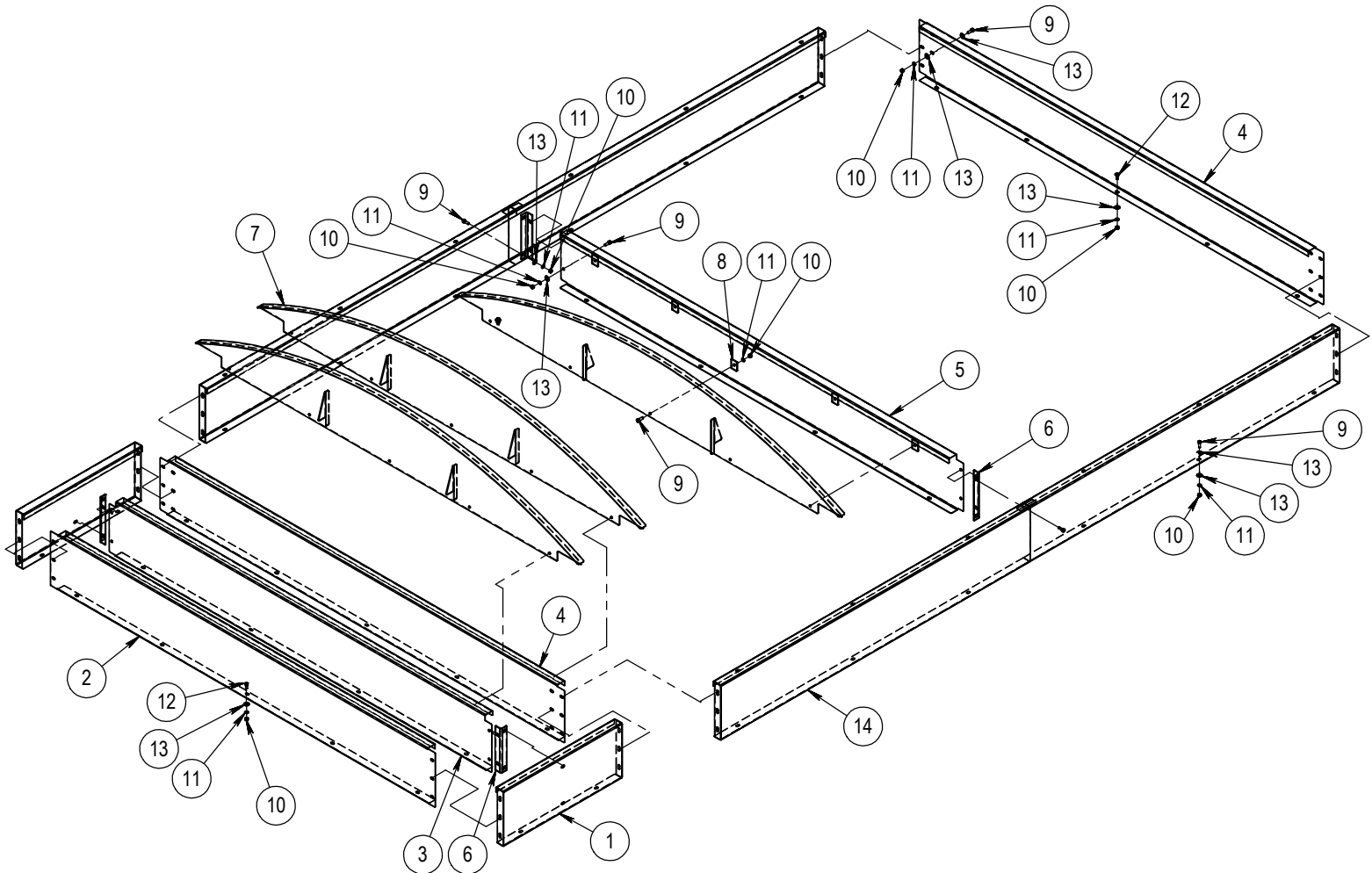


Drivers Side Front

## Safety Decals

<u>ITEM</u>	<u>PART NO.</u>	<u>DESCRIPTION</u>	<u>QTY.</u>
1	1234-050	Decal - Spinner Disc Location	1
2	1234-051	Decal - Fin Location on Universal Disc	1
3	1234-052	Decal - Flying Material	2
4	1234-053	Decal - To Avoid Injury or Machine Damage	1
5	1234-054	Decal - Moving Part Hazard	2

## OPTIONAL 12" H SS BOX EXTENSIONS FOR 102" W BOX



ITEM NO.	PartNo	DESCRIPTION	QTY.
1	1239-15205	12" TRI-FORCE BIN EXTENSION SIDE PANEL WELDMENT	2
2	1239-15305	12" HIGH TRI-FORCE REAR EXTENSION	1
3	1239-15405	12" HIGH TRI-FORCE BIN CENTER EXTENSION	1
4	1234-148	12" HIGH FRONT & REAR EXTENSIONS	2
5	1234-1520	12" HIGH CENTER EXTENSION	1
6	1234-1530	BRACKET FOR 12" HIGH EXTENSIONS	As Req'd
7	1237-18W	DF/TF/QF Divider Extension Weldment for use with 12" High Tarp	As Req'd
8	1234-942	BOARD EXTENSION CLIP	As Req'd
9	1200-3011	Hex Head Capscrew - 3/8" UNC x 1" SS	As Req'd
10	1205-27	Nut - 3/8" UNC SS	As Req'd
11	1209-43	Lock Washer - 3/8" SS	As Req'd
12	1200-302SS	Carriage Bolt - 3/8" UNC x 1" SS	As Req'd
13	1209-41	Flat Washer - 3/8" SS	As Req'd
14	1234-XXX	12" HIGH SIDE BOX EXTENSION (SPECIFY BOX LENGTH)	2